



ALLEGION™

<FSH> ■ VON DUPRIN ■ LEGGE ■ SCHLAGE



Electric Access Control





Contents

5	Introduction	30	Electric Mortice Locks
6	Electric Strikes	32	FEL990 Series
9	Application table	34	Electromechanical Dropbolts
10	FES90M-P	36	HLI260
12	FES20 Series	38	VEI260
14	FES10 Series	40	High Security Sensors
16	FES15 Series	42	FSS1
18	FES7	44	Electromagnetic Door Holders
20	FES112 Series	46	3500 Series
22	FES110 Series	50	Cabinet Locks
24	Electromagnetic Locks	52	FCL10
26	FEM4300 Series	54	Von Duprin Exit Devices
28	FEM6600 Series	56	Chexit Controlled Exit Device
		58	Electric Smart Locks
		60	Schlage Omnia
		62	Legge Privacy Plus
		66	Product List

Introduction

Allegion – A family of brands you can trust

With the ever-increasing technical complexity of building, fire, and disability code compliance, it is more important than ever to specify the appropriate products for security and life-safety.

Allegion creates value by securing people and assets with seamless access wherever they reside, work and thrive. Among our brands are market leaders FSH, Schlage, Von Duprin and Legge which have been long trusted and chosen by those in the security industry. That is why Allegion products are securing some of Asia Pacific's most sensitive buildings.

Mechanical hardware is the foundation of our business, but we recognise that the future of the security industry lies in addressing the needs of an increasingly connected world. Electronic solutions don't replace our mechanical products – they make them more powerful. That's why our core strength in mechanical security, when combined with digital and interconnected electronic solutions, makes us a leader in electronic access control.

All this is backed by Australian based customer service, technical support and training departments, so customers can be confident of support every step of the way. Able to work locally and globally, Allegion electronic access control products provide protection at critical moments – when property and personal security are at stake.





Electric strikes

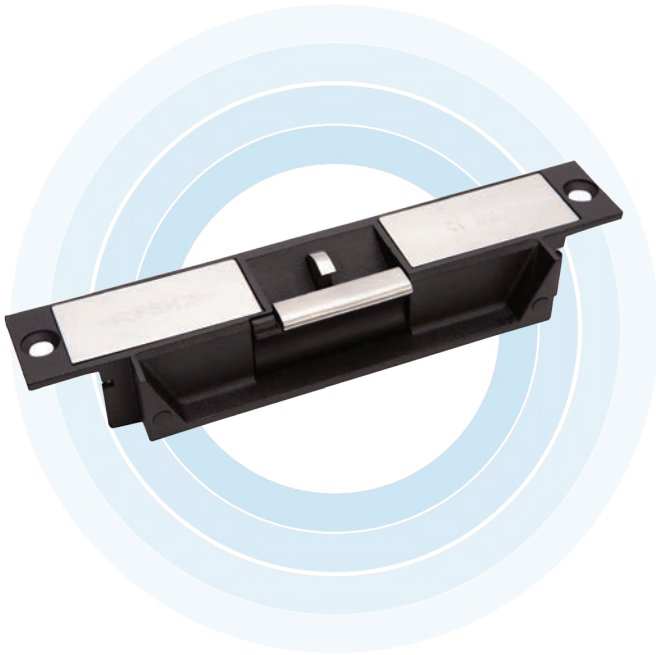
Application table

	FES7	FES10	FES10M	FES15	FES15M	FES20	FES20M	FES90M-P	FES110-PTL	FES110-PTO	FES112
Application	Residential & Light Commercial					Commercial - Medium to High					Custodial
Holding Strength	500kg	1000kg	1000kg	1200kg	1200kg	1100kg	1100kg	1300kg	500kg	500kg	1000kg
Lock Mode - field changeable	PTO PTL	PTO PTL	PTO PTL	PTO PTL	PTO PTL	PTO PTL	PTO PTL	PTO PTL	-	-	(PTO)
Voltage	12VDC	12VDC 24VDC	12VDC 24VDC	12VDC 24VDC	12VDC 24VDC	10-30 VDC	11-30 VDC	10-30 VDC	12-30 VDC	12-30 VDC	12-30 VDC
Current Draw	90mA	200mA 100mA	200mA 100mA	200mA 100mA	200mA 100mA	200mA 80mA	200mA 80mA	300mA 15mA	900mA 450mA	900mA 450mA	1.5A@12VDC 0.75A@24VDC
LSS Monitoring	-	-	✓	-	✓	-	✓	✓	✓	✓	✓
DSS Monitoring	-	-	-	-	-	-	✓	✓	✓	✓	✓
Anti Tamper	-	-	-	-	-	-	✓	-	-	-	✓
Pre-Load	-	-	-	-	-	-	-	35kg	-	-	-
Fire Rating*	-	4hr	4hr	2hr	2hr	4hr	4hr	4hr	4hr	4hr	-
Warranty	1yr	5yr	5yr	5yr	5yr	5yr	5yr	5yr	2yr	2yr	2yr

*Contact Allegion for more details

FES90M-P

HIGH SECURITY ELECTRIC STRIKE



The patented FES90M-P motorised high security electric strike is a revolutionary electric locking solution. The high pre-load /side-load tolerance, and minimal energy consumption in Sleep Mode, makes this an economic security solution.

The strike accepts voltages from 10 to 30VDC, is pre-drilled for extension lips and has a unique Power To Lock (PTL) / Power To Open (PTO) field interchangeable function.

The strike consumes current less than 300mA @ 12VDC at full 35kg pre-load only during locking and unlocking action. In the locked or unlocked state (Sleep Mode), the electric strike consumes less than 15mA @ 12VDC.

The FES90M-P provides two forms of monitoring:

- Lock Status Sensor (LSS)
- Door Status Sensor (DSS)

FES90M-P comes with a 10mm strike lip as standard.

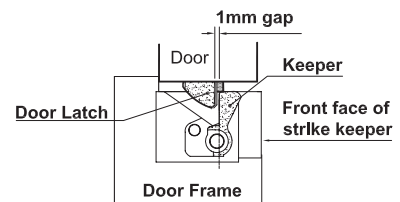
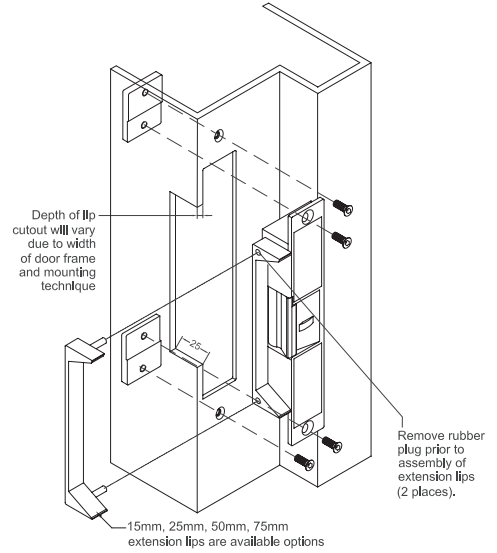
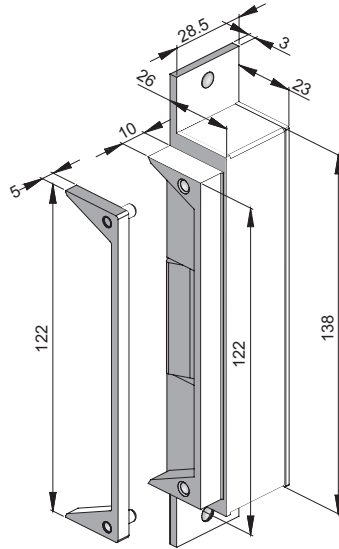
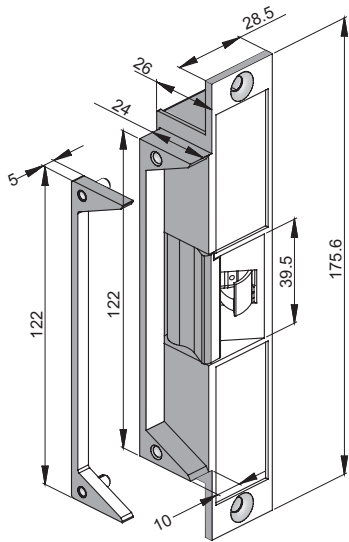
Technical Details

Part No.	FES90M-P
Function	Mortice Mount, Power To Lock (PTL) / Power To Open (PTO) field interchangeable, 35kg of Pre-Load capability
Holding Strength	Up to 1300kg Tested to 1.5 million full 35kg pre-load cycles
Voltage/Current	Multi Voltage 10-30VDC Action Mode: 300mA@12VDC at full 35kg pre-load only during locking and unlocking action Sleep-Mode: 15mA @ 12VDC in locked or unlocked mode
Approvals	Up to 4-hour fire rated in accordance with AS1905.1:2015 (contact Allegion for more details) CE/UL SCEC Approved (SCEC approved version only)
Monitoring	LSS - Status Sensor of the internal locking mechanism DSS - Door Status Sensor, Door latch engaged within strike keeper
Temperature Range	-20°C to +60°C

Product Features

- Releases with up to 35kg of pre-load / side-load
- Motorised locking device
- Durability tested to 1.5 million full pre-load cycles of 35kg
- Multi voltage from 10 to 30VDC
- Sleep Mode Current less than 15mA@12VDC
- Fully monitored including Reed Switch for door position
- Pre-drilled for extension lips
- Up to 1300kg holding strength
- 5 year warranty
- Guaranteed shock/hammer resistant
- CE/UL

Product Dimensions and Installation



Product Codes & Accessories

Part No.	Product Description
FES90M-P	HIGH SECURITY ELECTRIC STRIKE WITH PRE-LOAD CAPABILITIES AUSTRALIAN FOOTPRINT MONITORED 10MM LIP
FES20-EL15	FES20 EXTENSION LIP 15MM
FES20-EL25	FES20 EXTENSION LIP 25MM
FES20-EL50	FES20 EXTENSION LIP 50MM
FES20-EL75	FES20 EXTENSION LIP 75MM
FES20-REBATE	REBATE KIT FOR FES20 SERIES AND FES90MP (STAINLESS STEEL)

FES20 SERIES

HIGH-SECURITY ELECTRIC STRIKES AUSTRALIAN FOOTPRINT



The patented FES20 Series high security electric strikes are manufactured from stainless steel, accept voltages from 11 to 30VDC and have a simple and unique Power To Lock (PTL) / Power To Open (PTO) field interchangeable mechanism, with no loose screws or pins.

All FES20 strikes come with a 10mm strike lip as standard and are also pre-drilled for extension lips.

The FES20M monitored electric strike provides full monitoring including LSS (Lock Status Sensor), DSS (Door Status Sensor) and ATS (Anti-Tamper Sensor).

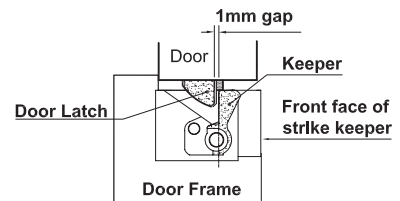
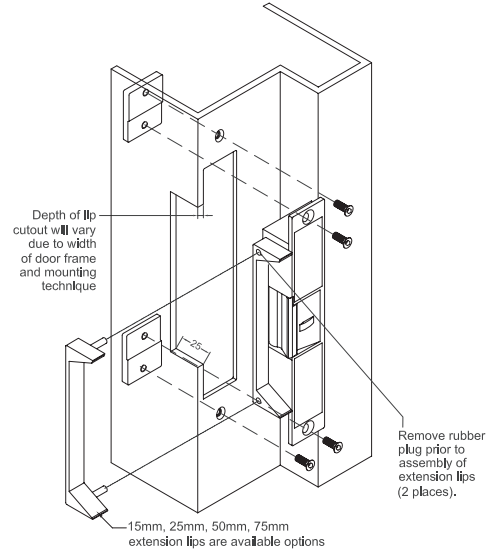
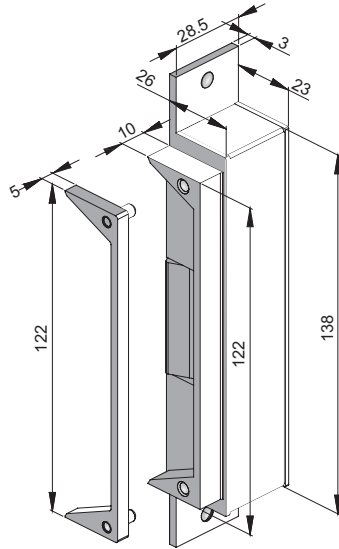
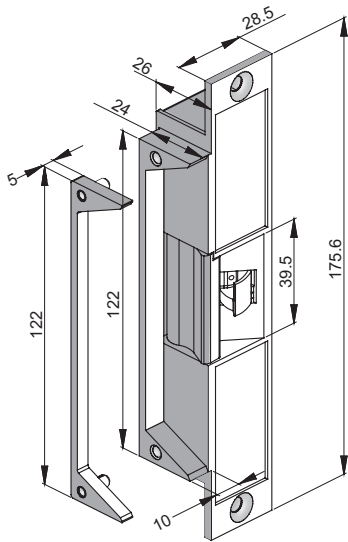
Technical Details

Part No.	FES20M	FES20
Function	Mortice mount, Power To Lock (PTL) / Power To Open (PTO) field interchangeable	
Holding Strength	Up to 1100kg Tested to 2 million cycles	
Voltage/Current	Multi Voltage 11-30VDC. 220mA @12VDC. 120mA @ 24VDC. 80mA @ 30VDC	
Approvals	Up to 4-hour fire rated in accordance with AS1905.1:2015 (contact Allegion for more details) CE/UL SCEC Approved (FES20M)	
Monitoring	FES20 Non monitored FES20M Fully monitored. Anti Tamper Sensor (ATS). Door Status Sensor (DSS). Lock Status Monitoring Sensor (LSS)	

Product Features

- 5 year warranty
- Simple Power To Lock (PTL) / Power To Open (PTO) field interchangeable mechanism
- No loose pins and springs
- Pre-drilled for extension lips
- Mounting kit included
- CE/UL

Product Dimensions and Installation



Product Codes & Accessories

Part No.	Product Description
FES20	HIGH SECURITY ELECTRIC STRIKE AUSTRALIAN FOOTPRINT NON-MONITORED 10MM LIP
FES20M	HIGH SECURITY ELECTRIC STRIKE AUSTRALIAN FOOTPRINT MONITORED 10MM LIP
FES20-REBATE	REBATE KIT FOR FES20 SERIES (STAINLESS STEEL)

FES10 SERIES

COMPACT ELECTRIC STRIKE



The FES10 Series electric strikes are designed for light commercial and residential applications. With a small ANSI footprint, the strikes accept either 12 or 24VDC and have been tested to a 2-hour fire rated in accordance with AS 1530.4:2005 (contact Allegion for more details).

The strikes are easily Power To Lock (PTL) / Power To Open (PTO) field interchangeable by simply changing over the barbell mechanism. The device is pre-drilled to cater for extension lips, comes with a 5 year warranty and has a holding strength of up to 1200kg.

The FES10M version has Door Status Sensor monitoring. The FES10 is weather resistant to IP56 standard.

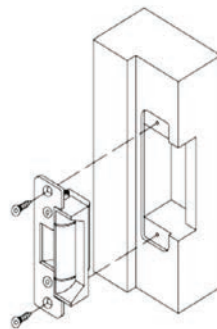
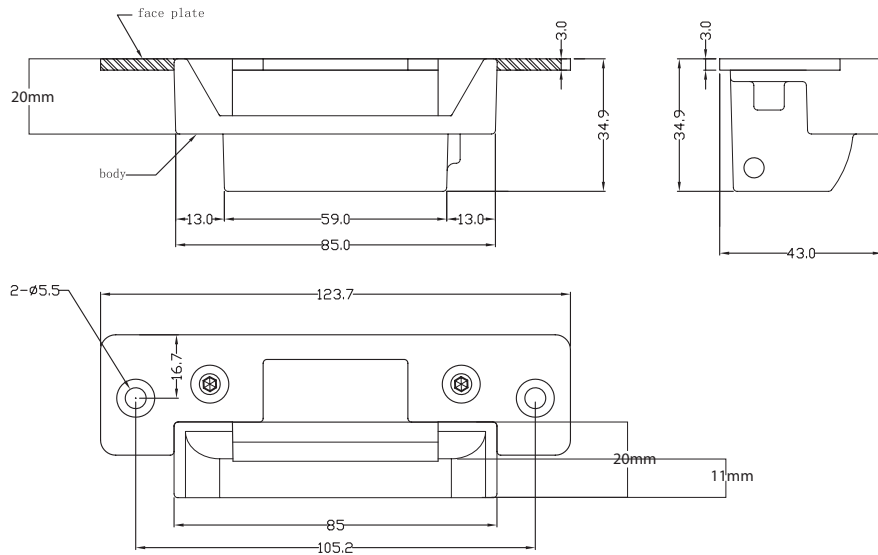
Technical Details

Part No.	FES10M	FES10
Function	Mortise mount, Power To Lock (PTL) / Power To Open (PTO) field interchangeable	
Holding Strength	Up to 1000kg	
Voltage/Current	Dual Voltage 12VDC/24VDC. 200mA @ 12VDC. 100mA @ 24VDC	
Approvals	Up to 4-hour fire rated in accordance with AS 1905 (contact Allegion for more details) CE/🔥	
Monitoring	Door latch monitoring	Non monitored
Dimensions	L= 125 x W= 42 x D= 35mm	

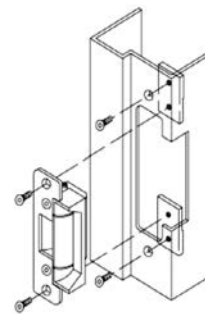
Product Features

- Stainless steel faceplate and keeper
- Barbell mechanism for simple change of locking function
- Low power consumption
- Compatible with door latch depth of up to 15mm
- Superior holding strength of up to 1000kg
- 5 year warranty
- 12 or 24VDC operation
- Pre-drilled for extension lips
- CE/🔥

Product Dimensions and Installation



Mounting Installation on wooden door frame



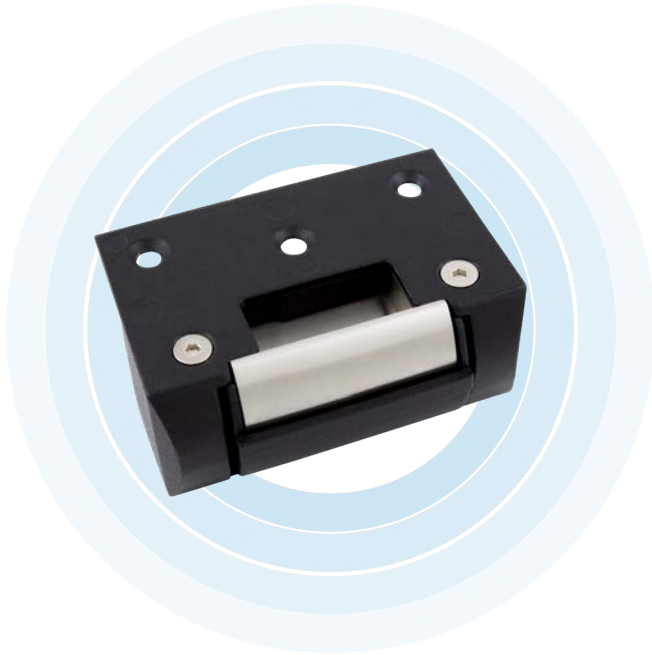
Mounting installation on metal, aluminium or PVC door frame

Product Codes & Accessories

Part No.	Product Description
FESI0M	ELECTRIC STRIKE ANSI FOOTPRINT MONITORED
FESI0	ELECTRIC STRIKE ANSI FOOTPRINT NON-MONITORED
FESI0-EL15	FESI0 EXTENSION LIP 15MM
FESI0-EL25	FESI0 EXTENSION LIP 25MM
FESI0-EL50	FESI0 EXTENSION LIP 50MM
FESI0-EL75	FESI0 EXTENSION LIP 75MM

FES15 SERIES

ELECTRIC STRIKE – RIM MOUNTED



The FES15 Series electric strikes are designed for residential or light commercial applications where a rim mounted strike is required, such as pedestrian gates.

The FES15 Series accept either 12 or 24VDC and are fire tested up to a 4-hour fire rating under British and Australian Fire Test Standards (contact Allegion for more details).

The strikes are easily Power To Lock (PTL) / Power To Open (PTO) field interchangeable by simply changing over the barbell mechanism. The device comes with a 5 year warranty and has a holding strength of up to 1200kg.

The FES15M version has Door Status Sensor monitoring.

Technical Details

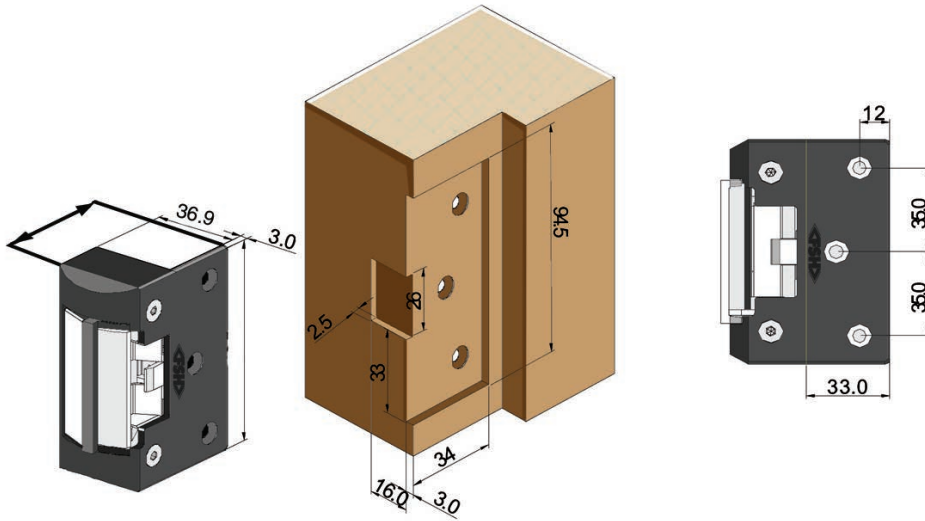
Part No.	FES15M	FES15
Function	Surface mount electric strike for rim latch control Power To Lock (PTL) / Power To Open (PTO) field interchangeable	
Holding Strength	Up to 1200kg	
Voltage/Current	Dual voltage 12VDC/24VDC. 200mA @12VDC. 100mA @ 24VDC	
Approvals	Up to 4-hour fire rating (contact Allegion for more details) CE/UL	
Monitoring	Door status monitoring	Non monitored

Product Features

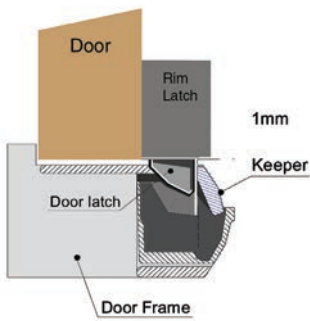
- Barbell mechanism for easy change of locking function
- Low power consumption
- Superior holding strength of up to 1200kg
- 5 year warranty
- 12 or 24VDC operation
- Surface mount for rim locks
- CE/UL

Product Dimensions and Installation

Timber door frame - cut out



Mechanical door lock configuration



Product Codes & Accessories

Part No.	Product Description
FESI5M	ELECTRIC STRIKE RIM MOUNTED, MONITORED
FESI5	ELECTRIC STRIKE, RIM MOUNTED - NON-MONITORED

FES7 SERIES

COMPACT ELECTRIC STRIKE



The FES7 is a compact and versatile electric strike. Suitable for all types of door frames, the FES7 has been designed to be fitted in place of an entrance set strike plate and is easy to install.

The compact size of the FES7 also assists with maintaining the integrity and strength of the door frame. The versatile strike can be mounted on either side of the door and is site interchangeable to function as Power To Lock (PTL) / Power To Open (PTO).

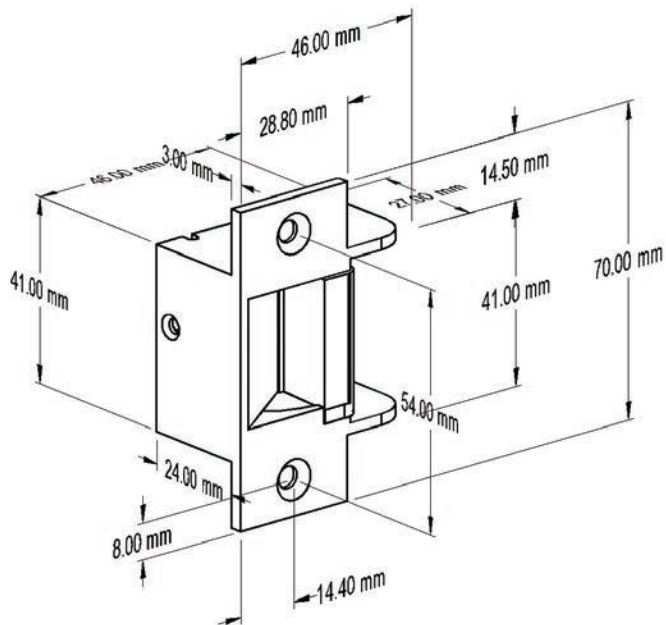
Technical Details

Part No.	FES7
Function	Power To Lock (PTL) / Power To Open (PTO) field interchangeable
Holding Strength	Up to 500kg Dynamic force: 60J (S5 according to AS4745.2)
Voltage/Current	12VDC ~ 90mA
Monitoring	NIL

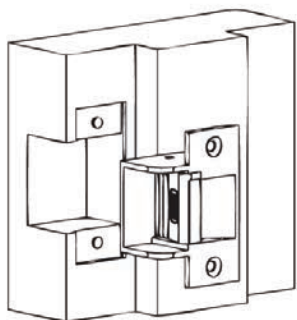
Product Features

- One of the world's smallest strikes
- Easy installation
- Ideal for wooden, steel and aluminium frames
- Size to suit standard entrance set strike plates
- 12VDC low current draw
- Continuously rated solenoid
- Power To Lock (PTL) / Power To Open (PTO) field interchangeable
- 1 year warranty

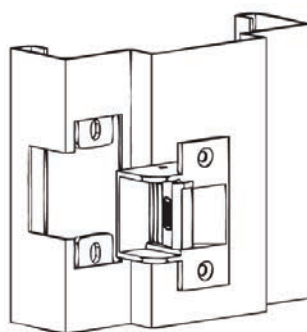
Product Dimensions and Installation



Wooden jamb installation
(Flush mount)

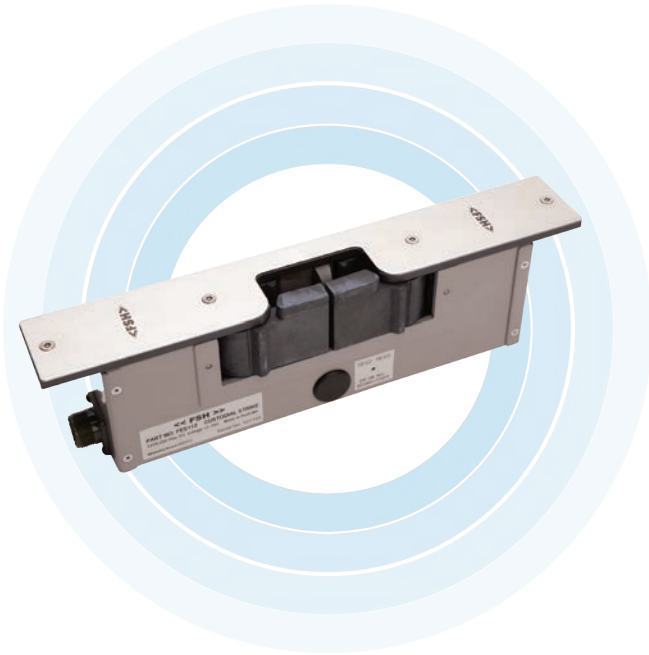


Metal jamb installation
(Flush mount)



FES112 SERIES

ELECTRIC STRIKE – HIGH SECURITY



The FES112 is purposely designed for heavy duty, high security applications where superior holding strength is required. Specifically suited for detention centres and correctional facilities where safety for all occupants is necessary.

The strike works in conjunction with a heavy duty double throw deadlock. With holding forces in excess of 1000kg, multiple monitoring functions and multi-voltage regulation, the FES112 is the perfect locking device for a variety of high security installations and retrofit high security projects. The device is supplied with a series 2 to series 3 simple change over switch.

Series 3 configuration provides the device with door position monitoring. In this configuration, the FES112 cannot be secured until the door is in the closed position and the lock monitoring tongue is depressed.

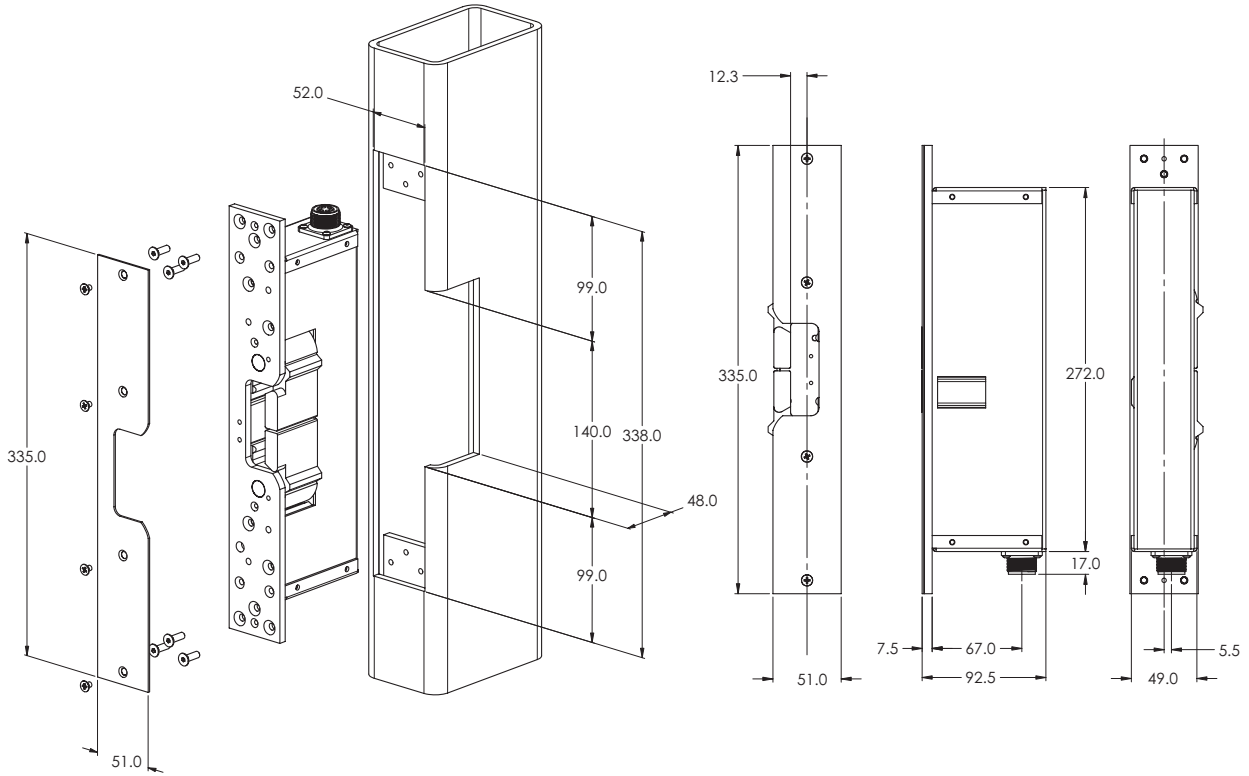
Technical Details

Part No.	FES112
Function	Power To Open (Fail Secure)
Holding Strength	Exceeds 1000kg
Voltage/Current	Multi Voltage 12-30VDC 1.5A @ 12VDC. 0.75A @ 24VDC
Monitoring	Strike Jaws Door Lock Bolt Status Sensor Door Position Reed Switch Anti-Tamper Sensor (strike plate removed)
Temperature Range	-20°C to +60°C
Lock Dead Bolt Dimension	Fully extended = 33-36mm Width = 10-17mm Height = 57-59mm

Product Features

- Ultra high holding force exceeds up to 1000kg
- Full monitoring (strike jaws, lock position, door position and cover plate)
- Multi Voltage operation 12-30VDC
- Smart Electronics, one lock for several applications
- Fail Secure, Power To Open (PTO) operation
- Body, high grade tooling steel hardened to 60 Rockwell
- Jaws, Molybdenum coated hardened steel
- Stainless steel faceplate and keeper
- 2 year warranty

Product Dimensions and Installation

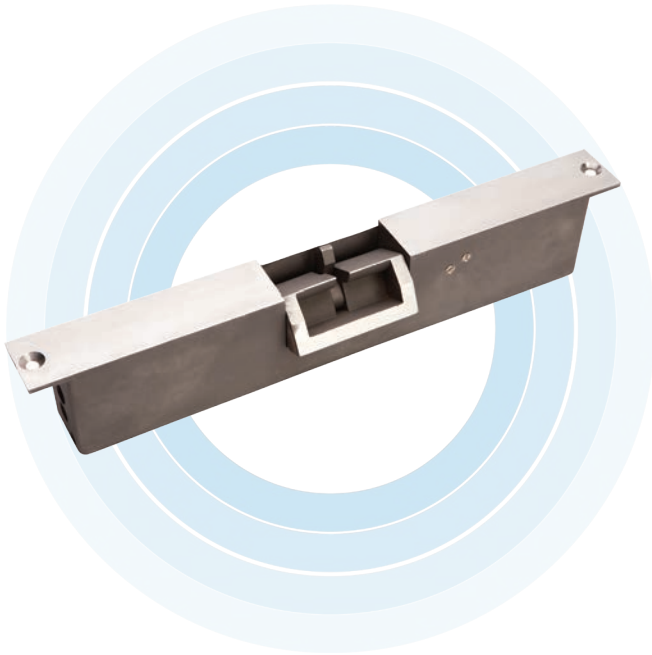


Product Code & Accessories

Part No.	Product Description
FES112	HIGH SECURITY DEADBOLT STRIKE FES112 SMART ELECTRONICS SERIES 2/3 SELECTABLE

FES110 SERIES

ELECTRIC DEADLOCK STRIKE – HIGH SECURITY



The FES110 Series electric deadlock strike's release mechanism has been designed to provide door access control while maximising security to a door assembly, fitted with square bolt deadlocks.

The FES110 monitors both door lock tongue and internal locking of the strike. The device is multi-voltage, accepting 12VDC–30VDC and has a 2 year warranty.

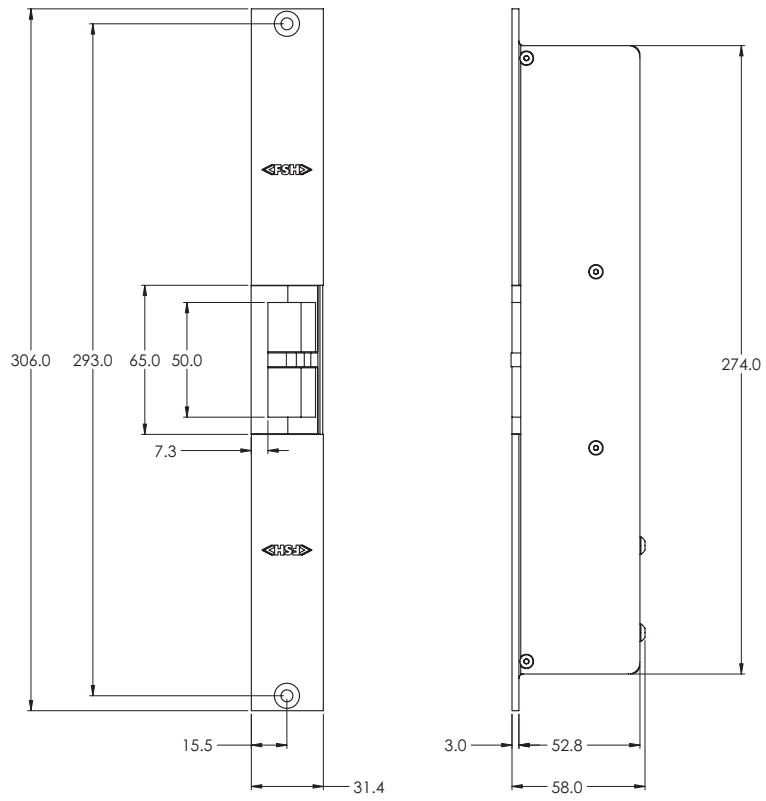
Technical Details

Part No.	FES110-PTL	FES110-PTO
Function	Power To Lock (PTL)	Power To Open (PTO)
Holding Strength	Up to 500kg	
Voltage/Current	12-30 VDC (Multi-voltage) 12V 600mA dropping to 220mA, 24V 350mA dropping to 12mA	
Approvals	Up to 2-hour fire rating (contact Allegion for more details)	
Monitoring	Lock Status Sensor (LSS) and Door Status Sensor (DSS)	
Dimensions	L= 306 x W= 32 x H= 58mm	

Product Features

- Stainless steel faceplate and keeper
- Holding strength of up to 500kg
- 2 year warranty
- Multi-voltage 12VDC–30VDC (has to be specified)
- Lock Status Sensor (LSS) and Door Status Sensor (DSS) monitoring
- PTO and PTL version available

Product Dimensions







Electromagnetic Locks

FEM4300 SERIES

ELECTROMAGNETIC LOCKS



The FSH FEM4300 Series of electromagnetic Locks come with a 5 year mechanical warranty and a hold strength of up to 280kg, so you have the peace-of-mind that entrances are secured to protect people and property.

Tested to Australian and New Zealand standards, including a 2-hour fire rating, these maglocks are Dual Voltage, 12/24VDC, and come in single or double (D) versions, either monitored (M) or non-monitored. Once powered off, the maglocks have no residual magnetism, which extends the life of the lock and door and gives a better user experience.

The monitored versions (M), include a red-green coloured LED indicator to quickly identify the door and lock status. Activated by a number of credential readers such as PIN pads, fob readers or other access control platforms, this range is ideal for most commercial applications.

Technical Details

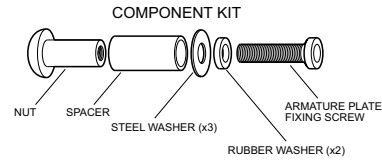
Part No.	FEM4300(Single) FEM4300D(Double)	FEM4300M(Single) FEM4300DM(Double)
Holding Strength	Up to 280kg (for single magnetic lock)	
Voltage/Current	Dual Voltage 12/24VDC 12VDC= 500mA (Double x2) 24VDC= 250mA (Double x2)	
Approvals	Up to 2-hour fire rated in accordance with AS1905.1:2015 (contact Allegion for more details) CE/UL	
Monitoring	N/A	Red-green bicolour LED Door Status Sensor (DSS)
Dimensions	Single door series magnet: 268mm (L) x 48mm (W) x 25mm (D) Single door series armature plate: 185mm (L) x 38mm (W) x 12mm (D)	Double door series magnet: 477mm (L) x 48mm (W) x 25mm (D) Double door series armature plate: 185mm (L) x 38mm (W) 12mm (D) x 2 pieces
Finish	Anodized aluminium	Anodized aluminium or black

Product Features

- Dual Voltage: 12 /24 VDC field selectable
- Door and Lock Status Monitoring Sensor (DSS and LSS S with "M" Models)
- Built-in varistor (MOV) surge protection
- Red-Green bicolour LED on monitored version
- No residual magnetism
- 5 year warranty
- Fire Rated (up to 2-hour fire rated in accordance with AS 1905.1:2015)

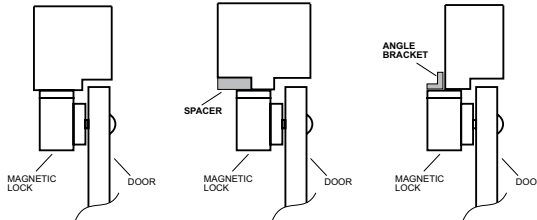
Product Dimensions and Installation

ARMATURE MOUNTING PLATE DETAIL

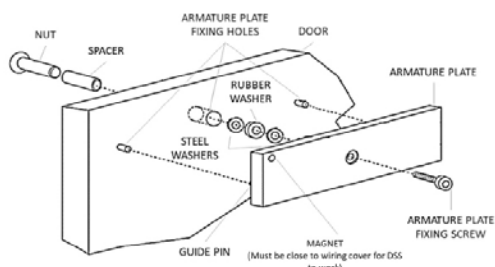
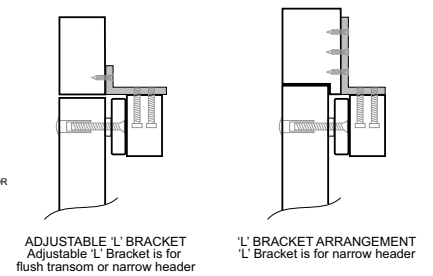


ARMATURE PLATES MUST BE INSTALLED WITH THE COMPONENTS SHOWN ABOVE. THESE COMPONENTS ARE PROVIDED WITH EACH ELECTROMAGNETIC LOCK. (TO AVOID MALFUNCTION OF THE LOCK DO NOT USE PARTS OTHER THAN THOSE PROVIDED ABOVE).

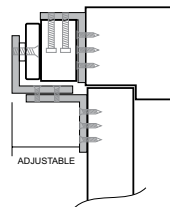
METHODS OF FIXING MAGNETIC LOCKS ON DIFFERENT FRAME PROFILES



TYPICAL FIXING OF MAGNETIC LOCK ON OUT-SWINGING DOOR

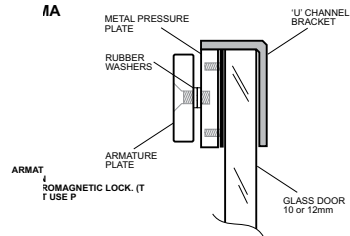


TYPICAL FIXING OF MAGNETIC LOCK ON IN-SWINGING DOOR



'L' & 'Z' BRACKET ARRANGEMENT

FIXING ARMATURE PLATE ON FRAMELESS GLASS DOORS



Product Codes & Accessories

Part No.	Product Description
AMAB4300	ARMATURE PLT BRKT FEM4300
AMAB4300-BLK	ARMATURE PLT BRKT FEM4300-BLK
AMLB4300	L-ADJ BRACKET FEM4300(M)
AMLB4300-BLK	L-ADJ BRACKET FEM4300(M)-BLACK
AMZB4300	L&Z BRACKET FEM4300(M)
AMZB4300-BLK	L&Z BRACKET FEM4300(M)-BLACK
AMZB4300D	L&Z BRACKET FEM4300D(M)
FEM4300	SLIM 280KG NON-MON SINGLE
FEM4300-AP	ARMATURE PLATE FEM4300
FEM4300-MP	MOUNTING PLATE FEM4300
FEM4300-MP-BLK	MOUNTING PLATE FEM4300-BLACK
FEM4300D	SLIM 280KG NON-MON DOUBLE
FEM4300D-MP	MOUNTING PLATE FEM4300D
FEM4300D-MP-BLK	MOUNTING PLATE FEM4300D-BLACK
FEM4300DM	SLIM 280KG MON DOUBLE
FEM4300DM-BLK	SLIM 280KG MON DOUBLE-BLACK
FEM4300M	SLIM 280KG MON SINGLE
FEM4300M-AP	ARMATURE PLATE FEM4300M
FEM4300M-BLK	SLIM 280KG MON SINGLE-BLACK

FEM6600 SERIES

ELECTROMAGNETIC LOCKS




The FSH FEM6600 Series of electromagnetic locks come with a 5 year mechanical and electronic warranty and a hold strength of up to 580kg, so you have the peace-of-mind that entrances are secured to protect people and property.

Tested to Australian and New Zealand standards, including a 2-hour fire rating, these maglocks are Dual Voltage, 12/24VDC, and come in single or double (D) versions, either monitored (M) or non-monitored. Once powered off, the maglocks have no residual magnetism, which extends the life of the lock and door and gives a better user experience.

The monitored versions (M), include a red-green coloured LED indicator to quickly identify the door and lock status. Activated by a number of credential readers such as PIN pads, fob readers or other access control platforms, this range is ideal for most commercial applications.

Technical Details

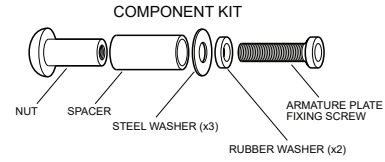
Part No.	FEM6600(Single) FEM6600D(Double)	FEM6600M(Single) FEM6600DM(Double)
Holding Strength	Up to 580kg (for single magnetic lock)	
Voltage/Current	Dual Voltage 12/24VDC 12VDC= 500mA Single (Double x2) 24VDC= 250mA Single (Double x2)	
Approvals	Up to 2-hour fire rated in accordance with AS1905.1:2015 (contact Allegion for more details) CE / 	
Monitoring	N/A	Red-green bicolour LED Lock Status Sensor (LSS) Door Status Sensor (DSS)
Dimensions	Single door series magnet: 268mm (L) x 73mm (W) x 40mm (D) Single door series armature plate: 190mm (L) x 61mm (W) x 16mm (D)	Double door series magnet: 535mm (L) x 3mm (W) x 40mm (D) Double door series armature plate: 190mm (L) x 61mm (W) x 16mm (D) x 2 pieces
Finish	Anodized aluminium	

Product Features

- Dual Voltage: 12 / 24 VDC field selectable
- Door and Lock Status Monitoring Sensor (DSS and LSS S with "M" Models)
- Built-in varistor (MOV) surge protection
- Red-Green bicolour LED on monitored version
- No residual magnetism
- 5 year warranty
- Fire Rated (up to 2-hour fire rated in accordance with AS 1905.1:2015)

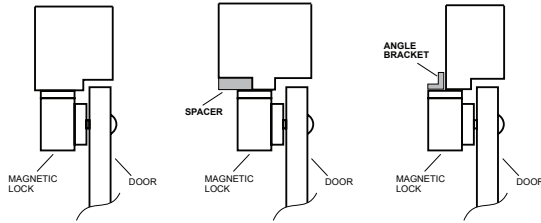
Product Dimensions and Installation

ARMATURE MOUNTING PLATE DETAIL

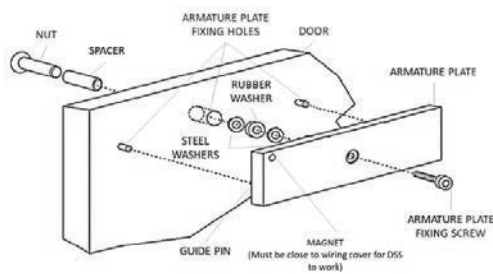
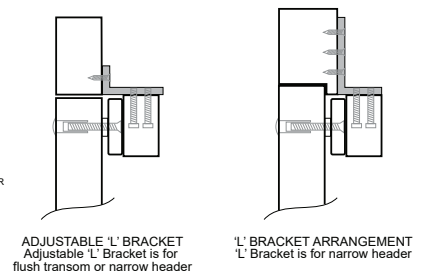


ARMATURE PLATES MUST BE INSTALLED WITH THE COMPONENTS SHOWN ABOVE. THESE COMPONENTS ARE PROVIDED WITH EACH ELECTROMAGNETIC LOCK. (TO AVOID MALFUNCTION OF THE LOCK DO NOT USE PARTS OTHER THAN THOSE PROVIDED ABOVE).

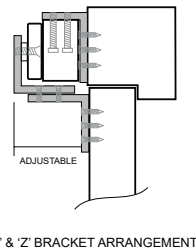
METHODS OF FIXING MAGNETIC LOCKS ON DIFFERENT FRAME PROFILES



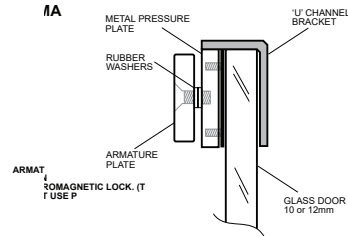
TYPICAL FIXING OF MAGNETIC LOCK ON OUT-SWINGING DOOR



TYPICAL FIXING OF MAGNETIC LOCK ON IN-SWINGING DOOR



FIXING ARMATURE PLATE ON FRAMELESS GLASS DOORS



Product Codes & Accessories

Part No.	Product Description
AMAB6600	ARMATURE PLT BRKT FEM6600
AMLB6600	L-ADJ BRACKET FEM6600(M)
AMZB6600	L&Z BRACKET FEM6600(M)
AMZB6600D	L&Z BRACKET FEM6600D(M)
FEM6600	STD 580KG NON-MON SINGLE
FEM6600-AP	ARMATURE PLATE FEM6600
FEM6600-MP	MOUNTING PLATE FEM6600
FEM6600D	STD 580KG NON-MON DOUBLE
FEM6600D-MP	MOUNTING PLATE FEM6600
FEM6600DM	STD 580KG MON DOUBLE
FEM6600M	STD 580KG MON SINGLE
FEM6600M-AP	ARMATURE PLATE FEM6600M
UBG185	U-BKT GLASS SGL FEM4300/6600
UBG185-BLK	U-BKT FEM4300/6600-BLK





Electric Mortice Locks

FEL990 SERIES

ELECTRIC MORTICE LOCK



The FEL990 Series electric mortice lock is a true multi-functional locking device. It has been developed for simplicity – simplicity for the stockist, the installer and the end-user. Only two options are available – either monitored or non-monitored.

The lock can be operated by push buttons, intercom systems and key switches. The strike can also be integrated with electronic access control systems for use with security devices such as keypads or card readers.

Technical Details

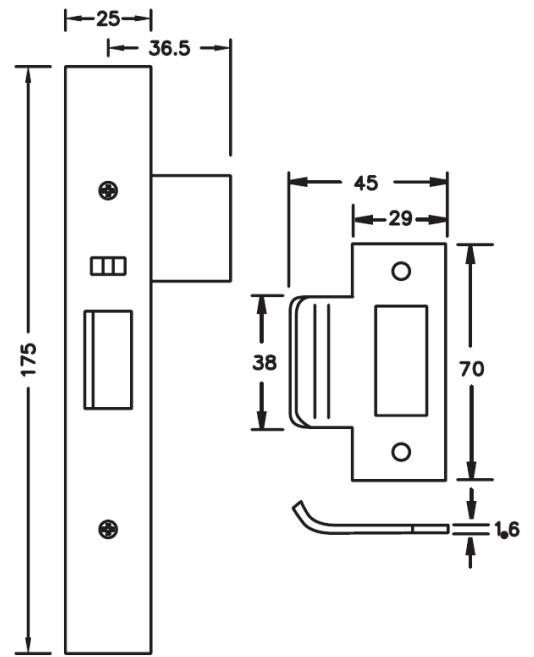
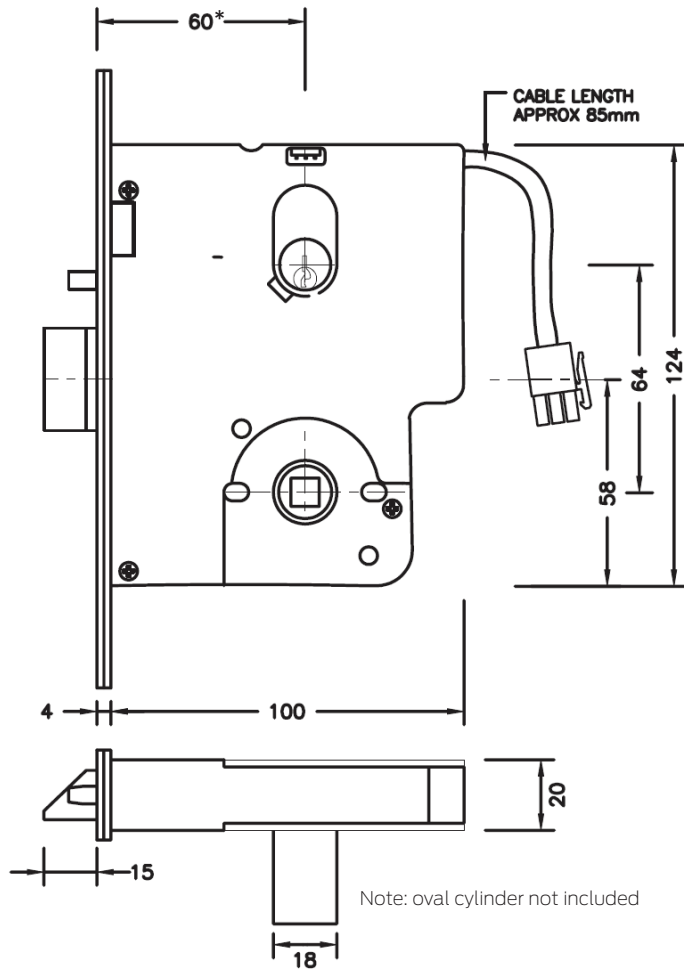
Part No.	FEL990M	FEL990
Certifications / Approvals	Conforms when used with equivalent S3 keying system CE/UL	
Function	Vestibule and Combination lock (field selectable of either/or both sides locked) Lock handed (Left Hand/Right Hand field selectable)	
Lock Operation	FAIL SAFE / FAIL SECURE adjustable on site – one product for both applications	
Voltage/Current	Multi-voltage - 12-24VDC / 350mA momentary, 100mA operating including LED furniture if applicable Reverse polarity protected Lock secure status and key override microswitch max. rating 500mA@30VDC Door status reed switch max. rating 100mA operating	
Monitoring (990 version only)	Door position monitoring by reed switch Lock status monitoring by a combination of; Locking bar (hub/handle/s locked), Deadlatching bolt (suppressed, Latchbolt (out)locking parameters Dual key override monitoring (KOM) Request to exit (REX) via hub/handle (s) LED indication	
Temperature Range	-20 to +60 degrees C	
Door Thickness	32 – 50mm (Extended spindles available for up to 65mm)	
Backset	60mm Optional: 70mm, 89mm and 127mm	
Cabling	3m cable with 12 pin plug supplied	
Finish	Satin stainless steel (other finishes on request)	
Factory Configuration	Vestibule 60mm backset Fail safe Left handed Satin stainless steel finish	

Product Features

- Single-sided locking (vestibule) / double-sided locking (combination)
- Power to lock (fail safe) / power to open (fail secure)
- 10 year warranty (mechanical)
- 1 year warranty (electronic)
- Left hand / right hand operation
- CE/UL
- Multi-voltage - 12-24VDC / 350mA momentary, 100mA operating including LED furniture if applicable
- Up to 4-hour fire rated in accordance with AS1905.1:2015 (contact Allegion for more details)
- Conforms to S3* (Security) and D3 (Durability) Australian Lock Standard (AS4145.2 : 1993)

Product Dimensions

*Standard backset 60mm



Note: FEL990M-R with round faceplate available on request





Electromechanical Dropbolts

HL1260

HIGH SECURITY MOTORISED HOOK LOCK



The patented HL1260 is a high torque motor driven hook lock for a sliding door. It can be installed vertically in the door frame (lock style) with the strike plate mounted on the edge of the door.

Alternatively there is a surface mount box for the strike plate and/or lock for a sliding door.

The HL1260 consumes an in-rush current of 290mA@12VDC only during locking and unlocking action (Active Mode), then in the locked or unlocked state (Sleep-Mode), it consumes current less than 15mA@12VDC.

The HL1260 hook lock should not be exposed to wind and weather as it is not IP rated.

We recommend to operate the product in 3-Wire-Mode (See installation manual).

Technical Details

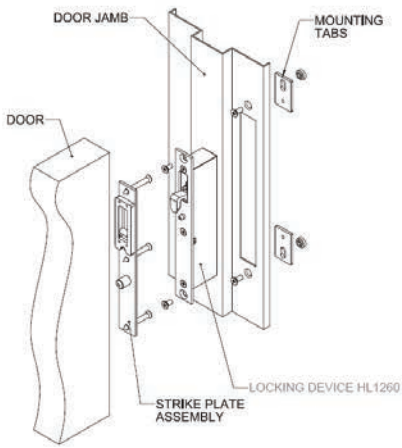
Part No.	HL1260
Approvals	CE/UL
Function	Mortice Mount, Power To Lock (PTL) / Power To Open (PTO) field interchangeable
Holding Strength	Up to 650kg
Voltage/Current	Multi Voltage 11-30VDC Active Mode: Locking/unlocking cycle current is 0.29A to 0.85A depending on the side load. Sleep-Mode: After locking/unlocking the current drops down to ~0.015A (15mA)
Monitoring	Lock Status Sensor of the internal locking mechanism Door Status Sensor Built-in reed switch, monitoring the door position
Temperature Range	-20° to +60°C
Maximum Door Gap	2mm
Optional Accessory: HL1260-SMK	Surface mount kit for motorised hook lock HL1260 or strike plate (one kit required per item)
Finish	Satin Stainless Steel (SSS)

Product Features

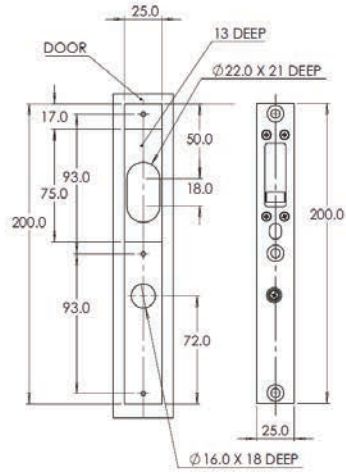
- Motorised locking device
- Durability tested to 400,000 cycles
- Multi Voltage operation 11-30VDC
- Sleep-Mode Current less than 15mA@12VDC
- Fully monitored including reed switch for door position
- Up to 650kg Holding Strength
- 5 year warranty
- Up to 4-hour fire rated in accordance with AS1905.1:2015 (contact Allegion for more details)
- Conforms to S3* (Security) and D3 (Durability) Australian Lock Standard (AS4145.2 : 1993)
- CE/UL

Product Dimensions and Installation

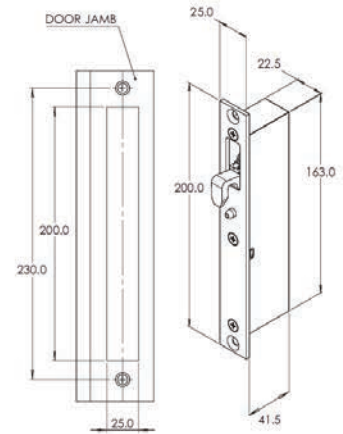
HL1260 Hook Lock Mortise Mount



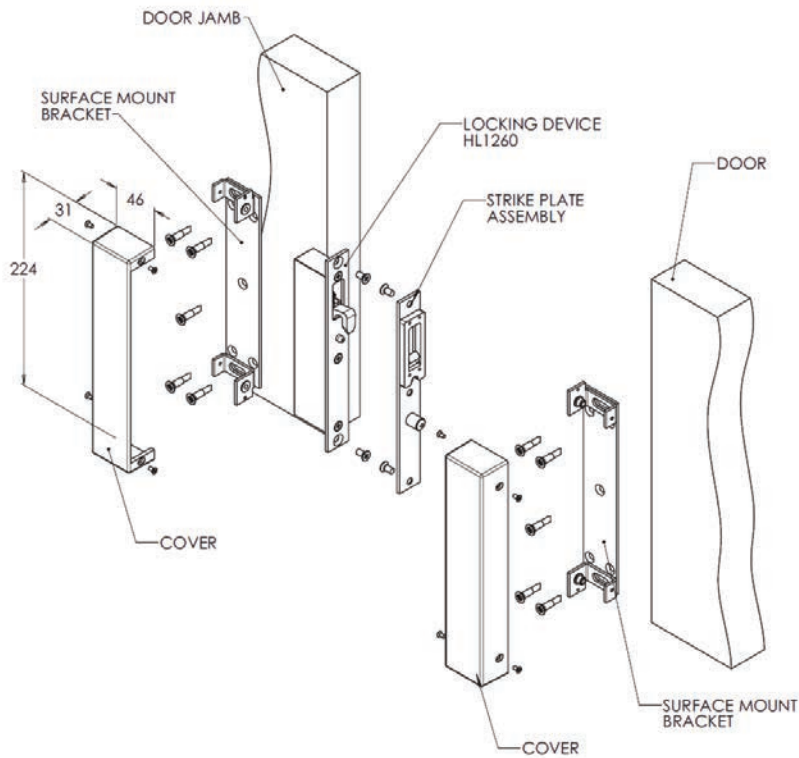
Strike Plate HL1260



Locking Device HL1260



HL1260-SMK Surface Mount Box

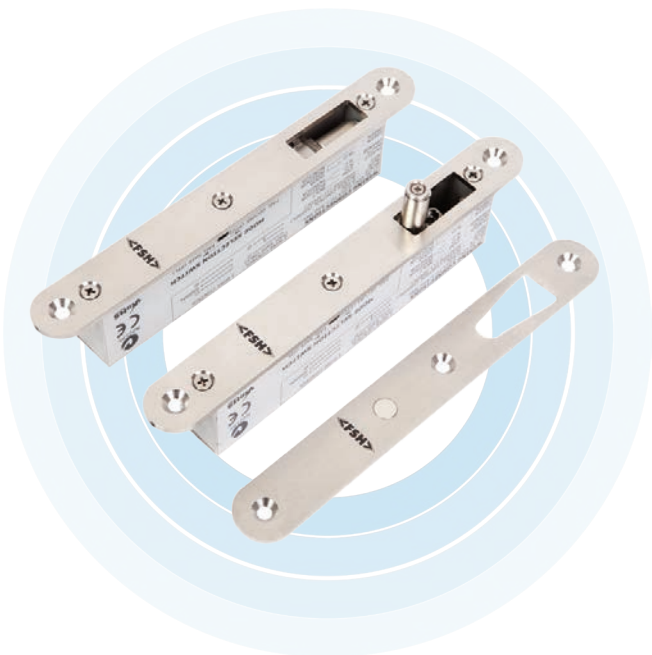


Product Code & Accessories

Part No.	Product Description
HL1260	990 ELECT LK VEST F/SECURE LH
HL1260-SMK	990 ELECT LK VEST F/SAFE MONT

VE1260

DROP BOLT



The patented VE1260 is a high torque motor driven drop bolt with up to 35kg pre-load/side load tolerance. It can be installed vertically in the door frame (lock style) or horizontally in the frame header and has a symmetric dead-bolt mechanism to allowing it to be used on 180° degree swing through doors.

The VE1260 consumes an inrush current of 290mA@12VDC only during locking and unlocking action (Active Mode), then in the locked or unlocked state (Sleep Mode), the drop bolt consumes current less than 15mA@12VDC.

A series of additional Strike Plates allow for door misalignment of up to ±12mm and a retrofit version of the FSH Lock is available to suit the PADDE/TRIMEC ES8000 drop bolt footprint.

We recommend to operate the product in 3-Wire-Mode (See installation manual). An optional LED red/green indicator unit is available.

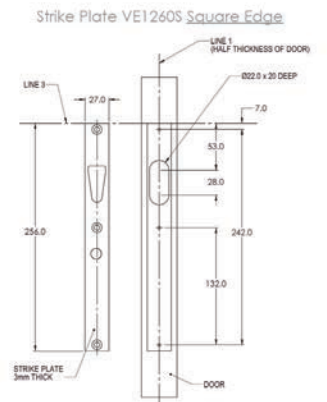
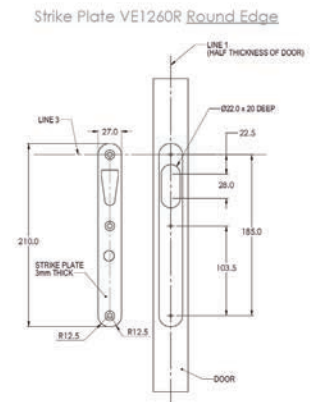
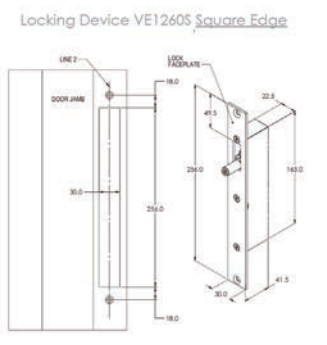
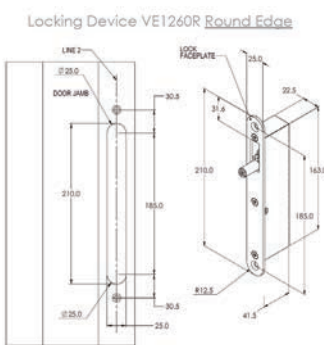
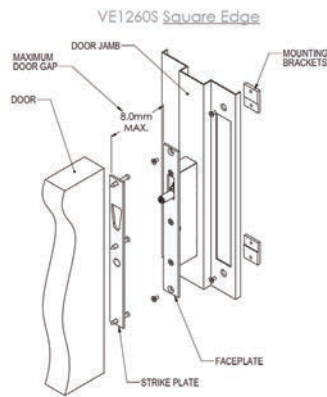
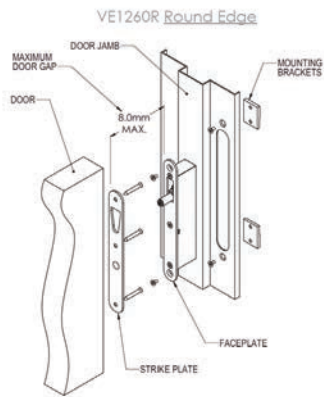
Technical Details

Part No.	VE1260
Approvals	CE/UL
Function	Mortice Mount, Power To Lock (PTL) / Power To Open (PTO) field interchangeable, up to 35kg of Pre-Load capability
Holding Strength	Up to 1000kg
Voltage/Current	Multi Voltage 11-30VDC Active Mode: Locking/Unlocking cycle current is 0.29A to 0.85A depending on the side load. More side load = more current. Sleep-Mode: After locking/unlocking the current drops down to ~0.015A (15mA)
Monitoring	Lock Status Sensor of the internal locking mechanism Door Status Sensor Built-in reed switch, monitoring the door position
Temperature Range	-20° to +60°C
Maximum Door Gap	8mm
Finish	Satin Stainless Steel (SSS)

Product Features

- Releases with up to 35kg of Pre-Load/Side Load (3-wire mode)
- Durability tested to 400,000 cycles
- Multi Voltage operation 11-30VDC
- Sleep-Mode Current less than 15mA@12VDC
- Fully monitored including reed switch for door position
- Up to 1000kg Holding Strength
- Up to 4-hour fire rated in accordance with AS1905.1:2015 (contact Allegion for more details)
- Conforms to S3* (Security) and D3 (Durability) Australian Lock Standard (AS4145.2 : 1993)
- 5 year warranty
- Retrofit version for Trimec/PADDE ES8000 (VE1260S Square Edge Version)
- CE/UL
- HL1260-SMK is an optional accessory

Product Dimensions and Installation



Product Code & Accessories

Part No.	Product Description
VEI260GL-DO12	VEI260 GLASS DOOR MOUNT - DOOR
VEI260GL-FR	VEI260 GLASS DOOR MOUNT FRAME
VEI260R	VE-LOCK PRE-INCLUDE DROP BOLT
VEI260R-ST4	STD STRIKE PLATE 27MM SPARE PA
VEI260S	VE-LOCK PRE-INCLUDE DROP BOLT
VEI260S-ST12	STRIKE PLATE 40MM FOR VEI260 S
VEI260S-ST4	STD STRIKE PLATE 27MM SPARE PA
VEI260S-ST6	STRIKE PLATE 31MM FOR VEI260 S
VEI260S-ST9	STRIKE PLATE 35MM FOR VEI260 S





High Security Sensors

FSSI SERIES

HIGH SECURITY SENSORS



The FSSI Series of High Security Door Monitoring Sensors are designed to provide a true high security solution for door position monitoring.

It is an award winning, state-of-the-art monitoring solution with a flush mount version for new construction, and surface mount version as a superior replacement for traditional magnetic balanced reed sensors.

Specifically developed for high security applications in government, high risk and defence installations, the FSSI Series high security door monitoring sensors consist of seven magnetic sensors that are used to detect a unique magnetic footprint from an array of magnets on the magnetic face plate. One sensor is used to detect the position of the magnetic face plate in relation to the device, while the other six sensors are used to determine the polarity, size, strength and position of the magnets on the unique magnetic face plate in relation to the memorised pattern.

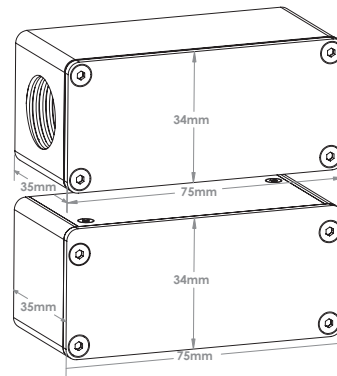
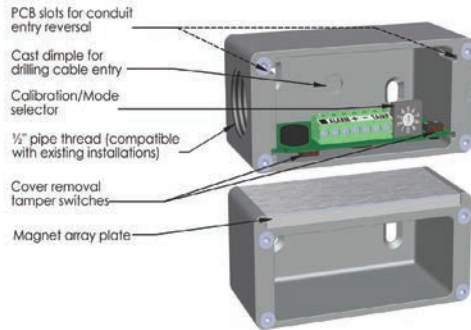
The sensor is designed to operate on a hinged door swinging in one direction. The FSSI is equipped with sophisticated anti-tamper facilities. The product is listed in the Australian Government Security Equipment Evaluated Product List (SEEPL) and UL listed to UL 634.2.

Technical Details

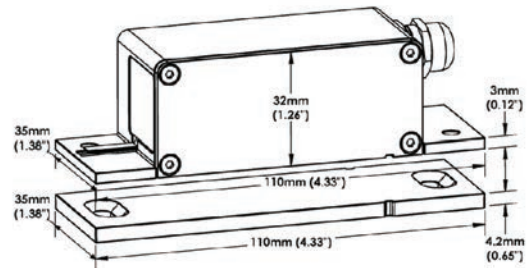
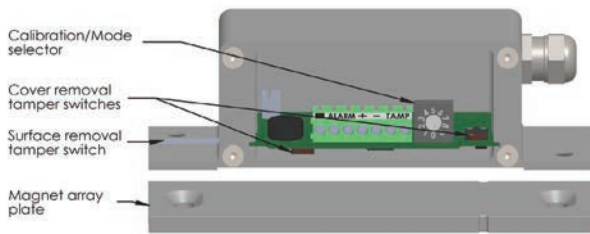
Part No.	FSSI-S / FSSI-S-NC	FSSI-F
Function	FSSI-S - Surface mount conduit version FSSI-S-NC - Surface mount no conduit version	Flush mount version (morticed)
Voltage/Current	10 - 30VDC / <10mA - Can now be powered by Type 1/1A and Class 5 E.O.L Modules	
Approvals / Security Level	SCEC Security Level 4 (SL4) Approved	U.L. 634 Level 2 Rated to IP67 RCM Compliant
Alarm Contacts (2)	Circuit board x 1 for alarm, flying lead x 1 for access control etc., both N.O. & common, 0.25A @ 30V	
Tamper Contact (1)	N.C. & common, 0.2A @ 30V	
Door Gap	1.5 - 7mm vertical door gap, and up to 15mm door movement for alarm to trigger	
End of Line	Space for end-of-line encryption modules, or resistor/s	
Array Magnets	Up to 8 magnets for unique magnetic footprint	
Hall Effect Sensors	7	
Patents	Patents granted and pending worldwide based on PCT/AU2014/000210	
Manufacture	Designed & manufactured in Australia	

Product Dimensions

FSSI-S Surface mount conduit version
 FSSI-S-NC surface mount no conduit version



FSSI-F flush mount version



Product Codes & Accessories

Part No.	Product Description
FSSI-ADAPTSM3	FSSI SM3 ADAPTER PLATE
FSSI-F	FLUSH MOUNT HIGH SEC DOOR MONITOR
FSSI-L	FSSI L BRACKET
FSSI-S	SURFACE MOUNT HIGH SEC MONITOR
FSSI-S-NC	SURFACE MOUNT HIGH SEC MONITOR -NO CONDUIT
FSSI-SLI-NC	FSSI SLIDING DOOR NC SURFACE S (CONTACT ALLEGION BEFORE ORDERING)
FSSI-SPACE6	FSSI 6MM SPACER
FSSI-Z45	FSSI Z BRACKET





Electromagnetic Door holders

3500 SERIES

HEAVY DUTY MAGNETIC DOOR HOLDER



The 3500 Series of magnetic door holders are specifically designed for fire and smoke doors with a 40kg holding force and titanium alloy surface finish. Elegant in appearance, this series is ideal for projects where doors are required to be held in the open position for both pedestrian and general traffic, the devices have to be linked into a buildings fire/smoke alarm system.

When an alarm occurs, power is removed from the devices and the doors are returned to the closed condition, preventing the spread of fire and/or smoke to other areas. The devices are fire tested to a rating of 4 hours and are supplied either 12 or 24VDC.

Technical Details

Part No.	35772
Function	Heavy duty floor mount door holder box, cream colour
Type of Mount	Floor Mount
Dimensions	D=67.5 x W=115 x H=84mm

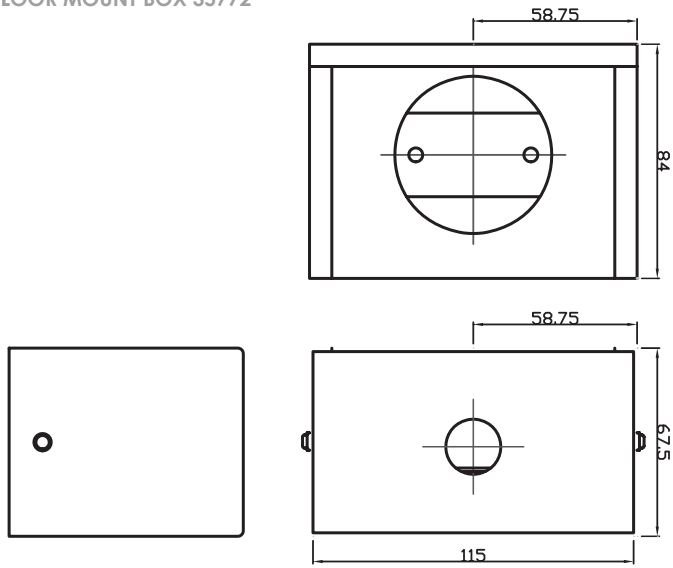
Part No.	35770	35771
Function	Heavy duty flush mount magnetic door to suit standart electrical box or Floor mount with 35772 box	
Holding Strength	Up to 40kg	
Voltage/Current	12VDC/100mA	24VDC/50mA
Dimensions	D=50 x W=74 x H=115mm	

Product Features

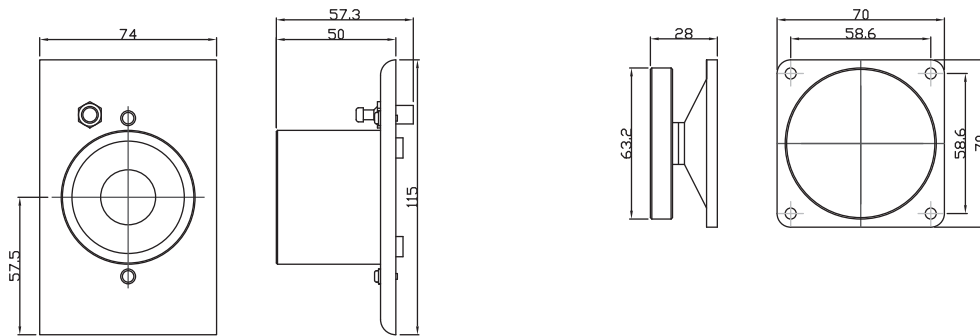
- Fire rated (contact Allegion for more details)
- Up to 40kg holding force
- 12 and 24VDC option
- Floor mount and wall mount options
- 2 year warranty

Product Dimensions and Installation

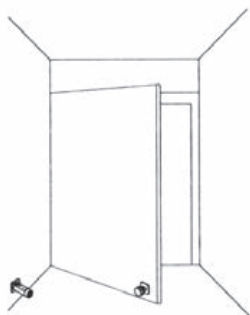
FLOOR MOUNT BOX 35772



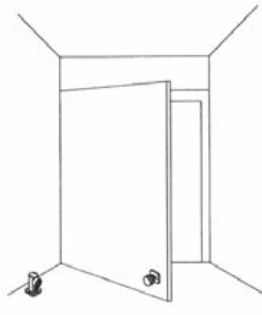
WALL MOUNT 35770 & 35771



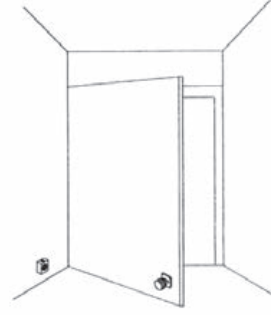
TYPE OF INSTALLATION



Extension Wall Mounting



Floor Mounting



Wall Mounting

3500 EXT SERIES

HEAVY DUTY MAGNETIC DOOR HOLDER WITH EXTENSION



The 3500 EXT Series of magnetic door holders are specifically designed for fire and smoke doors with a 40kg holding force and titanium alloy surface finish. Elegant in appearance, this series is ideal for projects where doors are required to be held in the open position for both pedestrian and general traffic, the devices have to be linked into a buildings fire/smoke alarm system.

When an alarm occurs, power is removed from the devices and the doors are returned to the closed condition, preventing the spread of fire and/or smoke to other areas. The devices are fire tested to a rating of 4 hours and are supplied either 12 or 24VDC.

Technical Details

Part No.	35770/150/s	3577/150/s	35770/300/s	35771/300/s
Function	Heavy duty 150mm extension, wall mount magnetic door holder		Heavy duty 300mm extension, wall mount magnetic door holder	
Holding Strength	Up to 40kg			
Voltage/Current	12VDC/100mA	24VDC/50mA	12VDC/100mA	24VDC/50mA
Dimensions	D=207 x W=90 x H=90mm		D=355 x W=90 x H=90mm	

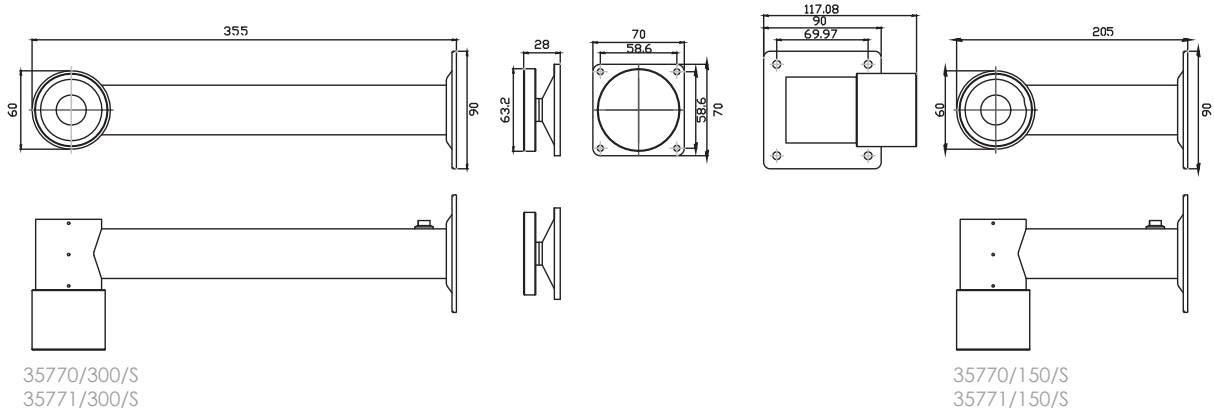
Part No.	35770/150/90	3577/150/90	35770/300/90	35771/300/90
Function	Heavy duty 150mm 90° extension, wall & floor mount magnetic door holder		Heavy duty 300mm 90° extension, wall & floor mount magnetic door holder	
Holding Strength	Up to 40kg			
Voltage/Current	12VDC/100mA	24VDC/50mA	12VDC/100mA	24VDC/50mA
Dimensions	D=117 x W=90 x H=176mm		D=117 x W=90 x H=324mm	

Product Features

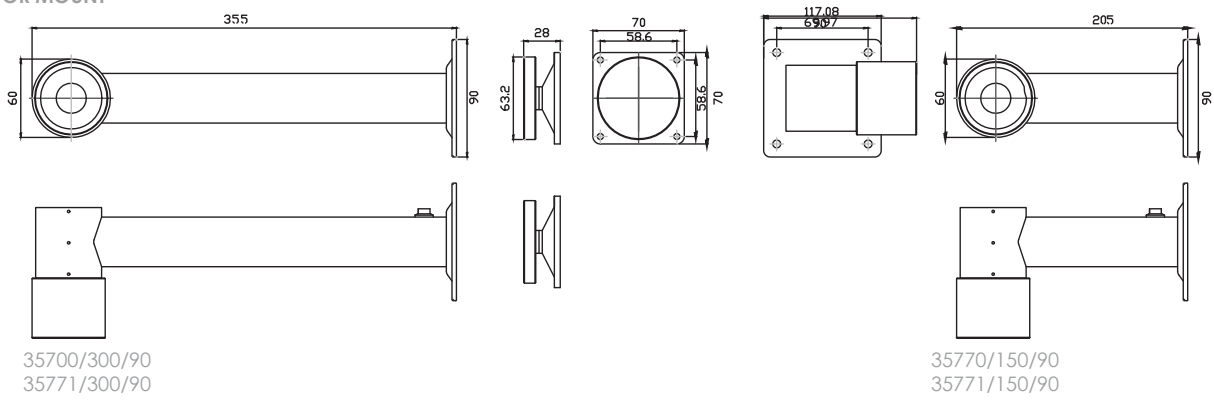
- Fire rated (contact Allegion for more details)
- Up to 40kg holding force
- 12 and 24VDC option
- Floor mount and wall mount options
- 2 year warranty

Product Dimensions and Installation

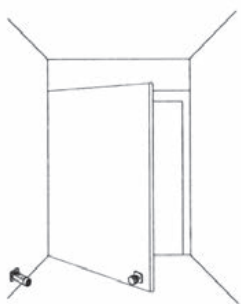
WALL MOUNT



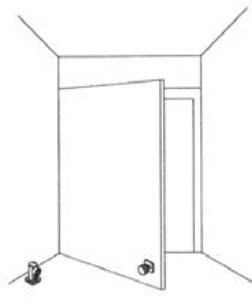
FLOOR MOUNT



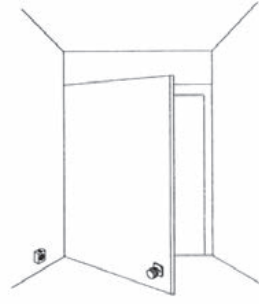
TYPE OF INSTALLATION



Extension Wall Mounting



Floor Mounting



Wall Mounting





Cabinet Locks

FCL10

CABINET LOCK



The FSH FCL10 is a compact surface mount cabinet lock designed specifically to fit cabinets and lockers with hinged swing through or sliding doors. The FCL10 can be mounted either horizontally or vertically and is field selectable for either 12 or 24VDC operation. The FCL10 default factory setting is Power To Open and is field changeable to Power To Lock.

Technical Details

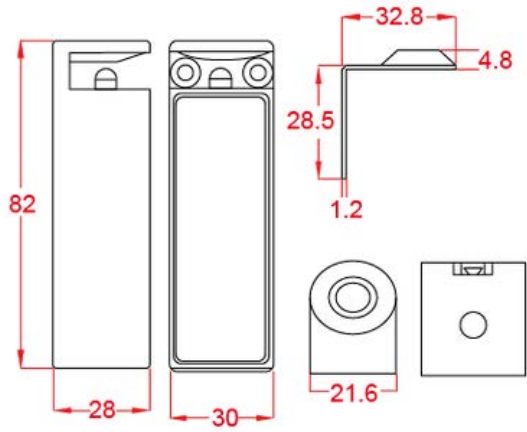
Part No.	FCL10
Function	Power To Lock (PTL) / Power To Open (PTO) field interchangeable
Holding Strength	Up to 200kg
Voltage/Current	Dual voltage 12VDC/24VDC. 300mA @12VDC. 150mA @ 24VDC
Connection Cable	1m

Product Features

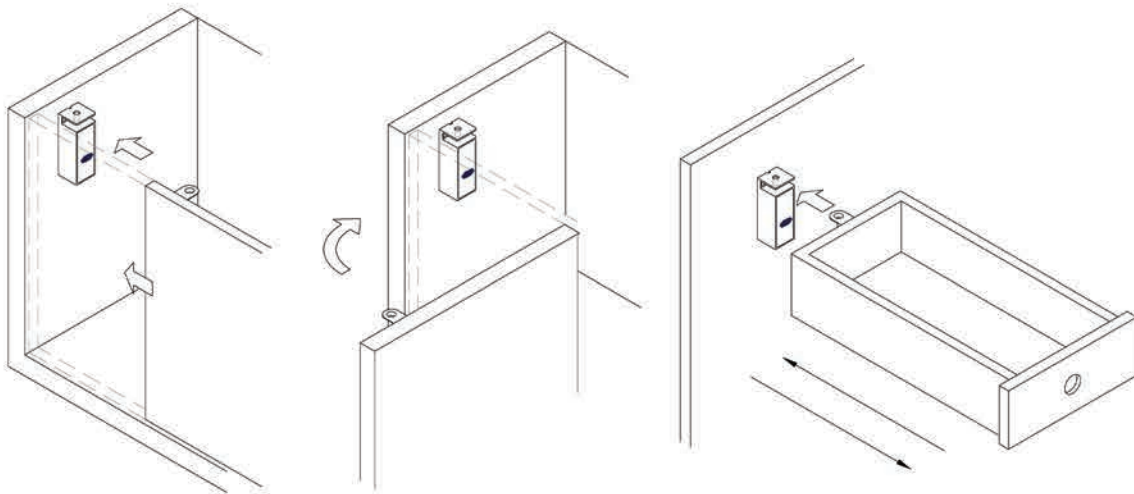
- PTO / PTL interchangeable on site
- Dual voltage 12/24VDC
- 5 year warranty
- Applications: Sliding cabinet doors and swing cabinet doors

Product Dimensions and Installation

DIMENSIONS



CABINET LOCK CONFIGURATION



Lock from front in sliding door

Lock from front in swing door

Lock from front in sliding draw

Product Codes & Accessories

Part No.	Product Description
FCL10	CABINET LOCK



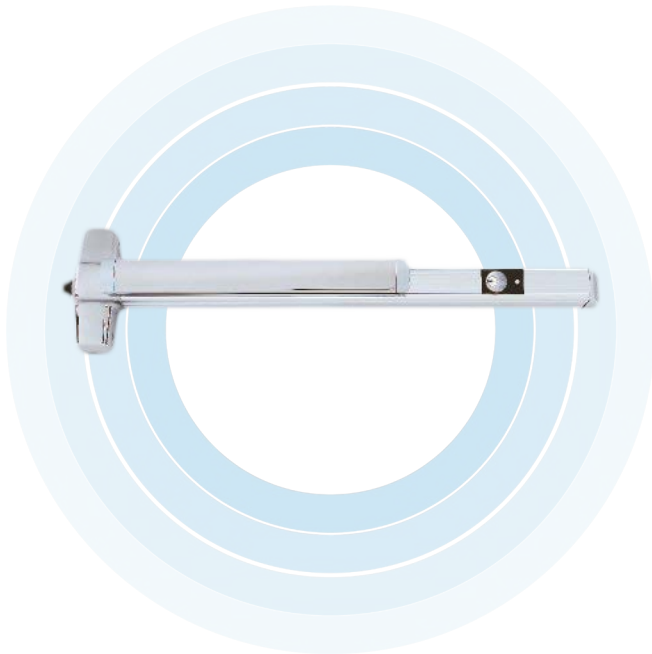
A photograph of a modern glass skyscraper at dusk. The building's windows are illuminated from within, creating a warm glow against the dark blue twilight sky. In the foreground, there is a paved plaza with a stone wall and some greenery. A semi-transparent blue rectangular overlay is positioned in the center-left of the image, containing the text 'VON DUPRIN' and 'Exit Devices'.

VON DUPRIN

Exit Devices

CHEXIT™ CONTROLLED EXIT DEVICE

HIGH SECURITY ELECTRIC STRIKE



CX Chexit is designed for use on delayed exit applications. The concept of a delayed exit system combines life safety with the need for security.

The Chexit system will keep an exit door secured for a 15 second period, yet tied into the fire alarm system will release immediately when an alarm condition exists. All controls, auxiliary locking, local alarm and remote signalling output are self-contained in the Chexit assembly providing safe, secure and easy to install door control hardware.

The Chexit system is ideal for highly controlled areas such as airports, hospitals, government facilities and development labs, retail stores, libraries and security facilities.

CX98 and CX99 are available for rim, mortice lock and surface and concealed vertical rod mounting styles. For CX98/9927 panic and fire devices, two Rod Guards (RGO) are required. For door heights over 2130mm additional Rod Guards will be added as needed to protect the rods.

UL listed for use on panic or fire exit doors 914mm or 1220mm wide.

The Chexit device includes decal for application on door, "Push until alarm sounds. Door can be opened in 15 seconds".

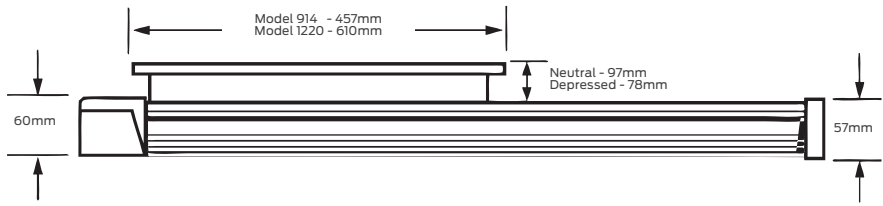
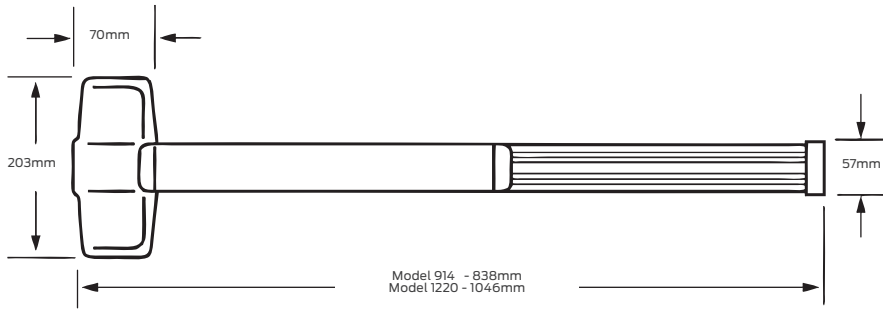
Technical Details

Continuous Duty	24VDC
Current In-rush	16 amperes
Current Holding	3 amperes
External Alarm Contact	1 ampere @ 24VDC
Fire Alarm Input	Set-up for normally closed dry contacts
External Inhibit Input	Set-up for normally closed dry contacts
Door Position Input	Set-up for normally closed dry contacts
Warranty	10 years mechanical, 1 year electronic

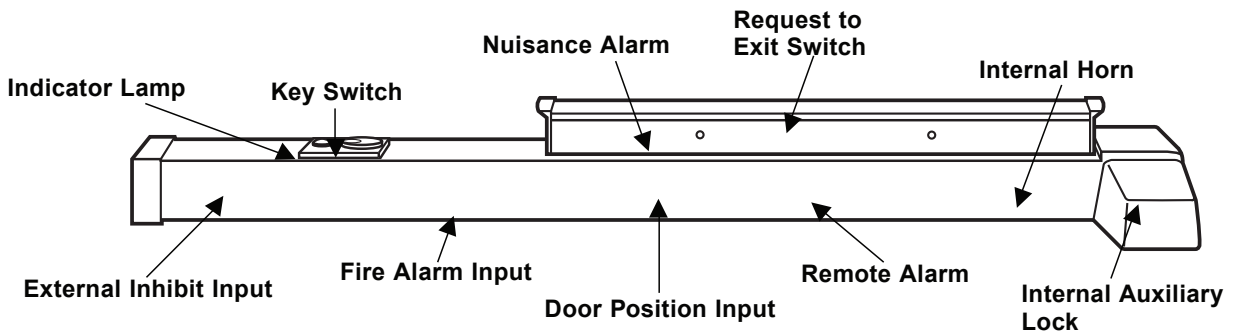
Product Features

- Non handed
- Field sizable
- A Request to Exit switch is built in to detect when someone attempts to exit. A push pad will cause this switch to start an irreversible alarm.
- Key Switch - Provides the means to arm, disarm or reset the Chexit
- Indicator Lamp - Determines the status of the Chexit
- Internal Horn - Whenever the device is in alarm or the push pad is pressed the internal horn will sound
- Remote Alarm - A set of relay contacts (rated 1 ampere, 34VDC) are provided to give the external alarm indication. These contacts close when the device is in an irreversible alarm condition. These contacts can be used to drive a horn, lamp or other signalling devices
- Cylinders are not furnished with the Chexit device and must be specified when ordering. Uses a standard 32mm mortice cylinder
- A complete Chexit system requires a PS873 power supply and a power transfer

Product Dimensions and Installation



Device centre line to finished floor: 1011mm.







Electronic Smart Locks



SCHLAGE OMNIA

ELECTRONIC SMART LOCK












Available in
Satin Nickel Plate
or Matte Black

No keys? No problem! With the Schlage Omnia™ Smart Lock, access and control to your apartment is a breeze.

Simply pair your Schlage Omnia™ Smart Lock with the Schlage Breeze app on your smartphone, or use the touch keypad, key tags or fingerprint scanner.

You can allow access to guests or family, or schedule access for recurring visitors all through your smartphone.

- | | | | |
|---|---|---|-------------------|
|  | Access with PIN, key tag or fingerprint |  | Built-in alarm |
|  | Works with Schlage Breeze app |  | Auto locking |
|  | Remote access with the Schlage Wi-Fi Bridge (BZ100) |  | Key override |
|  | Voice guides |  | Fire rated* |
| | |  | Easy installation |

Product Features

- Smartphone access using the Schlage Breeze app
- Use voice commands via Google Assistant and Amazon Alexa
- Access codes - up to 150 custom and 150 scheduled
- Fingerprint scanner
- Includes 3 key tags
- Easy installation
- Auto locking and passage mode
- Low battery warning signals
- Built-in alarm technology senses potential security breaches at the lock
- Available in satin nickel plate or matte black finishes
- Mechanical key override
- 2 year warranty

SCHLAGE WI-FI BRIDGE

OPTIONAL ACCESSORY FOR SCHLAGE OMNIA



Renting out your apartment, or perhaps you want the convenience of remote access to your Schlage Omnia™ Smart Lock?

The Schlage Wi-Fi Bridge pairs your Schlage Omnia™ Smart Lock to your home Wi-Fi, allowing you remote access through the Schlage Breeze mobile app.

- Provides your smartphone with notifications when your lock has been accessed
- Get alerted if someone has tampered with your lock
- Manage access and users by adding or deleting

Ask for the Schlage Wi-Fi Bridge (BZ100).





LEGGE

Privacy Plus

LEGGI PRIVACY PLUS

ELECTRONIC PRIVACY SOLUTIONS



One simple solution for rooms with multiple access requirements. Managing access to one room via multiple doorways can be complicated and difficult. The Privacy Plus system offers a simple solution with four different levels of privacy and security, all from one controller.

Designed for shared spaces such as en-suites in healthcare and aged care facilities, laboratories, sound studios, darkrooms and other rooms with multiple access points. The synchronised locking control system ensures that occupants sharing an en-suite or room have access to privacy by the push of a button. The system is reset once the door handle has been used, ensuring access for others to the shared space.

Four levels of privacy

Central to the Privacy Plus system is an electric door control unit, from which one of four different privacy switch kits can be operated.

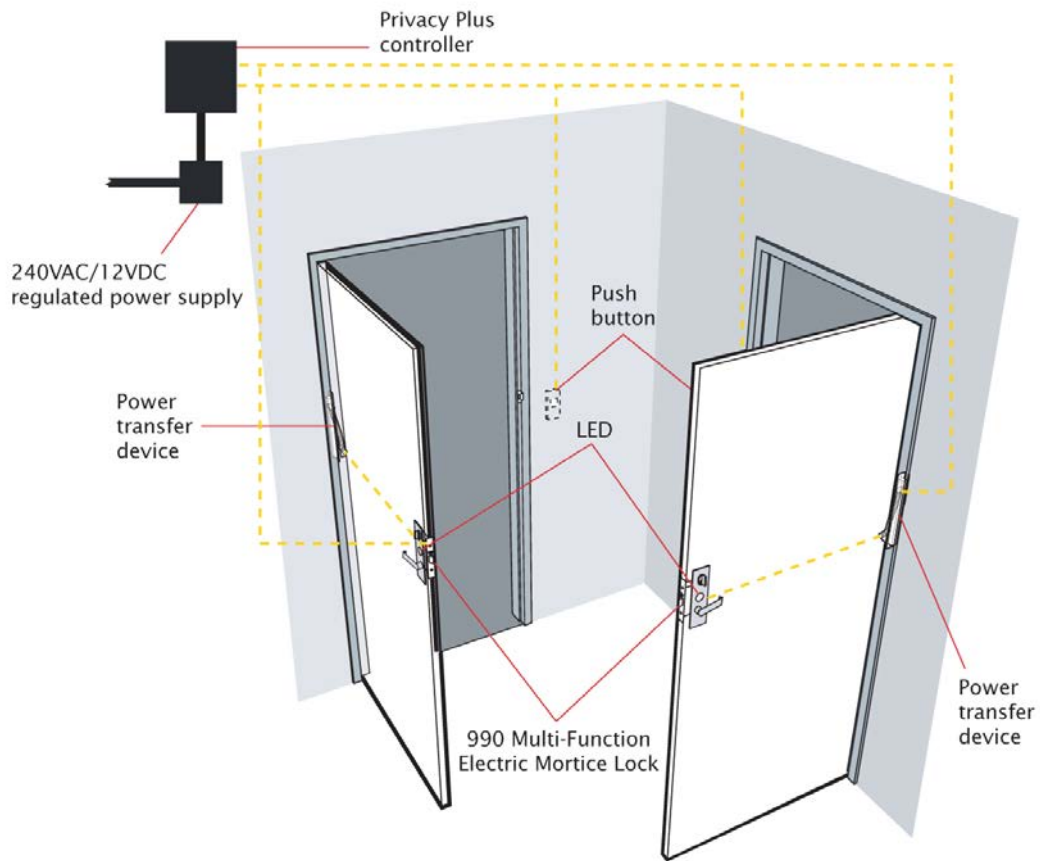
The system can be configured to Standard Privacy, Secure Privacy, Air Lock or Man Trap, depending on the degree of privacy and security required.

Kit includes

- 2 x FSH FEL 990M
- Switch kit
- Power transfers
- Controller
- Power supply

Product Features

- Universally understood LED colour codes Green – go, Red – stop
- Automated privacy & security
- Simple push button/door handle operation
- Additional security is provided by preventing inter-room travel
- Works with Legge door furniture
- Designed specifically for Australasian requirements
- Legge Alpha door furniture and electric mortice lock are compliant with accessibility requirements NZS4121:2001, AS1429.1.2009 & AS4145.2-2008
- Ease of use - eliminates the need for accessible turns



Configuration	Prior to entry	Locking scenario	Unlocking scenario	Applications
Standard Privacy (Switch kit 1)	Doors are unlocked when room is vacant. LEDs are green	All doors lock once inside button is pressed.	Opening of any door from the inside will unlock all doors. Exit can be made through either door.	Sound studios Conference rooms Darkrooms
Secure Privacy (Switch kit 2) Recommend Von Duphin PS902 + 900 - BB	Doors are locked when room is vacant. LEDs are red.	One door unlocks when external button is pressed. Door entered through locks once internal button is pressed. Opening either door via lever will allow access and simultaneously lock the other door, creating an air lock.	Internal unlock button will unlock the door entered through. Once closed, the door will automatically lock again.	Shared en-suites in hotels, hospitals and aged care facilities
Air Lock (Switch kit 3)	Doors are unlocked when both doors are in closed position. LEDs are green.	Opening either door via lever will allow access and simultaneously lock the other door, creating an air lock.	Closing the open door resets the system and both doors are unlocked.	Operating rooms Research and scientific labs
Man Trap (Switch kit 4) HEPA Filter Timers Compatible	Doors are locked on both sides. LEDs are red.	One door unlocks when external button is pressed. While the door is opened, the other door remains locked and cannot be unlocked by the outside button.	Closing the open door resets the system and both doors are locked.	High security facilities Cash handling Scientific laboratories

PRODUCT LIST

FSH Electric Strikes FES90M-P Series

Item number	Item description
FES90M-P	HS ECOSTRIKE W/PRE-INCLUDE MO
FES90M-P-S	SCEC ENDORSED PRE-INCLUDE STR
FES90MP-L2	HS ECOSTRIKE W/PRE-INCLUDE MO

FES20 Series Item number

Item number	Item description
FES20	HS ELECTRIC STRIKE AUS FOOTPRI
FES20-EL15	FES20 EXTENSION LIP 15MM
FES20-EL25	FES20 EXTENSION LIP 25MM
FES20-EL50	FES20 EXTENSION LIP 50MM
FES20-EL75	FES20 EXTENSION LIP 75MM
FES20-REBATE	S/STEEL REBATE KIT FOR FES20 S
FES20/10MK	MOUNTING KIT FOR FES10/FES15/F
FES20M	HS ELECTRIC STRIKE AUS FOOTPRI
FES20M-M	HS ELECTRIC STRIKE WITH DOOR P

FES10 Series Item number

Item number	Item description
FES10	ELECTRIC STRIKE 12/24V WEATHER
FES10-EL15	FES10 EXTENSION LIP 15MM
FES10-EL25	FES10 EXTENSION LIP 25MM
FES10-EL50	FES10 EXTENSION LIP 50MM
FES10-EL75	FES10 EXTENSION LIP 75MM
FES10M	ELECTRIC STRIKE ANSI FP 12/24V

FES15 Series Item number

Item number	Item description
FES15	ELECTRIC STRIKE RIM MOUNTED 1
FES15M	ELECTRIC STRIKE 12/24V RIM MOUNTED

FES7 Series Item number

Item number	Item description
FES7	COMPACT ELECTRIC STRIKE 12V

FES112 Series Item number

Item number	Item description
FES112	HIGH SECURITY DEAD BOLT
FES112-P	PLUG KIT FOR FES112 PLUG KIT F

FES110 Series Item number

Item number	Item description
FES110-PTL	HS DEADLOCK STRIKE 12-30V PTL
FES110-PTO	HS DEADLOCK STRIKE 12-30V PTO

FSH Electromagnetic Locks FEM4300 Series

Item number	Item description
AMAB4300	ARMATURE PLT BRKT FEM4300
AMAB4300-BLK	ARMATURE PLT BRKT FEM4300-BLK
AMLB4300	L-ADJ BRACKET FEM4300(M)
AMLB4300-BLK	L-ADJ BRACKET FEM4300(M)-BLACK
AMZB4300	L&Z BRACKET FEM4300(M)
AMZB4300-BLK	L&Z BRACKET FEM4300(M)-BLACK
AMZB4300D	L&Z BRACKET FEM4300D(M)
FEM4300	SLIM 280KG NON-MON SINGLE
FEM4300-AP	ARMATURE PLATE FEM4300
FEM4300-MP	MOUNTING PLATE FEM4300
FEM4300-MP-BLK	MOUNTING PLATE FEM4300-BLACK
FEM4300D	SLIM 280KG NON-MON DOUBLE
FEM4300D-MP	MOUNTING PLATE FEM4300D
FEM4300D-MP-BLK	MOUNTING PLATE FEM4300D-BLACK
FEM4300DM	SLIM 280KG MON DOUBLE
FEM4300DM-BLK	SLIM 280KG MON DOUBLE-BLACK
FEM4300M	SLIM 280KG MON SINGLE
FEM4300M-AP	ARMATURE PLATE FEM4300M
FEM4300M-BLK	SLIM 280KG MON SINGLE-BLACK

FEM6600 Series Item number

Item number	Item description
AMAB6600	ARMATURE PLT BRKT FEM6600
AMLB6600	L-ADJ BRACKET FEM6600(M)
AMZB6600	L&Z BRACKET FEM6600(M)
AMZB6600D	L&Z BRACKET FEM6600D(M)
FEM6600	STD 580KG NON-MON SINGLE
FEM6600-AP	ARMATURE PLATE FEM6600
FEM6600-MP	MOUNTING PLATE FEM6600
FEM6600D	STD 580KG NON-MON DOUBLE
FEM6600D-MP	MOUNTING PLATE FEM6600
FEM6600DM	STD 580KG MON DOUBLE
FEM6600M	STD 580KG MON SINGLE
FEM6600M-AP	ARMATURE PLATE FEM6600M
UBG185	U-BKT GLASS SGL FEM4300/6600
UBG185-BLK	U-BKT FEM4300/6600-BLK

FSH Electric Mortice Locks FEL990

Item number	Item description
FEL990	990 ELECT LK VEST F/SECURE LH
FEL990M	990 ELECT LK VEST F/SAFE MONT

Electromechanical Drop Bolts HLI260

Item number	Item description
HLI260	990 ELECT LK VEST F/SECURE LH
HLI260-SMK	990 ELECT LK VEST F/SAFE MONT

VEI260

Item number	Item description
VEI260GL-DO12	VEI260 GLASS DOOR MOUNT - DOOR
VEI260GL-FR	VEI260 GLASS DOOR MOUNT FRAME
VEI260R	VE-LOCK PRE-INCLUDE DROP BOLT
VEI260R-ST4	STD STRIKE PLATE 27MM SPARE PA
VEI260S	VE-LOCK PRE-INCLUDE DROP BOLT
VEI260S-ST12	STRIKE PLATE 40MM FOR VEI260 S
VEI260S-ST4	STD STRIKE PLATE 27MM SPARE PA
VEI260S-ST6	STRIKE PLATE 31MM FOR VEI260 S
VEI260S-ST9	STRIKE PLATE 35MM FOR VEI260 S

FSH Electromagnetc Locks FSSI

Item number	Item description
FSSI-ADAPTSM3	FSSL SM3 ADAPTER PLATE
FSSL-F	FLUSH MOUNT HIGH SEC DOOR MONI
FSSL-L	FSSL L BRACKET
FSSL-S	SURFACE MOUNT HIGH SEC MONITOR
FSSL-S-NC	SURFACE MOUNT HIGH SEC MON -NO
FSSL-SLI-NC	FSSL SLIDING DOOR NC SURFACE S
FSSI-SPACE6	FSSL 6MM SPACER
FSSI-Z45	FSSL Z BRACKET

FSH Electromagnetic Door Holders 3500 Series

Item number	Item description
17297	ARMATURE PLATE FOR DOOR HOLDER
35770	12V MAGNET DOOR HOLDER WALL
35770/150/90	12/24V DOOR HOLDER FLOOR MOUNT
35770/150/S	12/24V DOOR HOLDER WALL MOUNT
35770/300/90	12/24V DOOR HOLDER FLOOR MOUNT
35770/300/S	12/24V DOOR HOLDER WALL MOUNT
35770M	12/24V DOOR HOLDER WALL MOUNT
35771	24V MAGNETIC DOOR HOLDER WALL
35772	FLOOR MOUNTED BOX FOR DOOR HOL

Cabinet Locks FCL10

Item number	Item description
FCL10	CABINET LOCK

Schlage Electronic Smart Locks Schlage Omnia

Item number	Item description
BZ100	SCHLAGE WI-FI BRIDGE
BZ200	SCHLAGE CARD ENCODER
BZ300	SCHLAGE KEYPAD CONTROLLER
SCEOM99MB	SCHLAGE OMNIA

Von Duprin Exit Devices**Von Duprin Chexit Controlled Exit Device**

Numerous accessories available. Contact Allegion for more information.

About Allegion™

Allegion (NYSE: ALLE) is a global pioneer in seamless access, with leading brands like CISA®, Interflex®, LCN®, Schlage®, SimonsVoss® and Von Duprin®. Focusing on security around the door and adjacent areas, Allegion secures people and assets with a range of solutions for homes, businesses, schools and institutions. Allegion had \$2.9 billion in revenue in 2021, and its security products are sold around the world.

For more, visit www.allegion.com.au

Brio ■ <FSH> ■ *Gainsborough* ■ LEGGE ■ SCHLAGE

Due to continuous product development, some products may vary from that shown. The Allegion guarantee, shown on the pages within, applies only when properly installed and subjected to no more than fair wear and tear. This guarantee does not extend to labour costs, personal loss, death or injury or economic, consequential or property damage of any kind whatsoever. Due to the nature of the printing process, colours may vary from those shown in this brochure.

Allegion Australia
Freephone 1800 098 094
Email info.au@allegion.com
www.allegion.com.au

Allegion New Zealand
Freephone 0800 477 869
Email nzinfo@allegion.com
www.allegion.co.nz

999/FB_EAC
© 2023 Allegion

