



FES20 Electric Strike Installation Instructions

FES20 Non Monitored Electric Strike

Extension Lips

- FES20-EL15
- FES20-EL25
- FES20-EL50
- FES20-EL75

Wiring

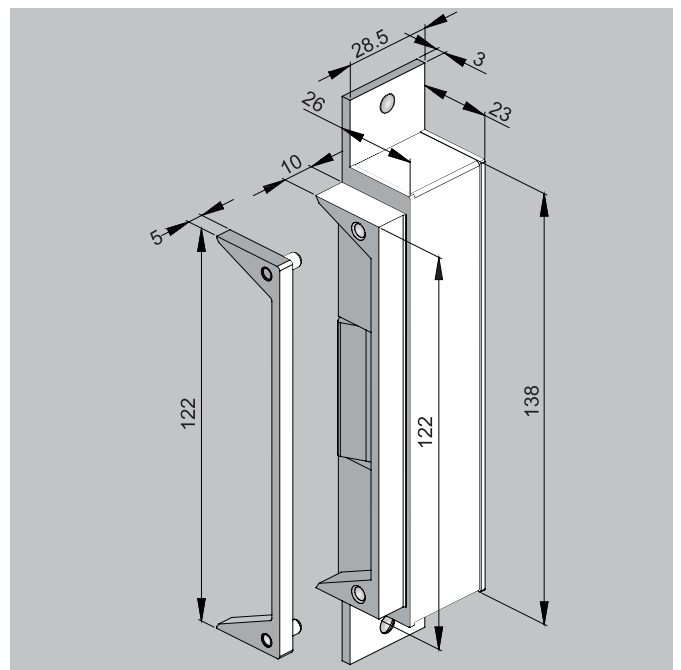
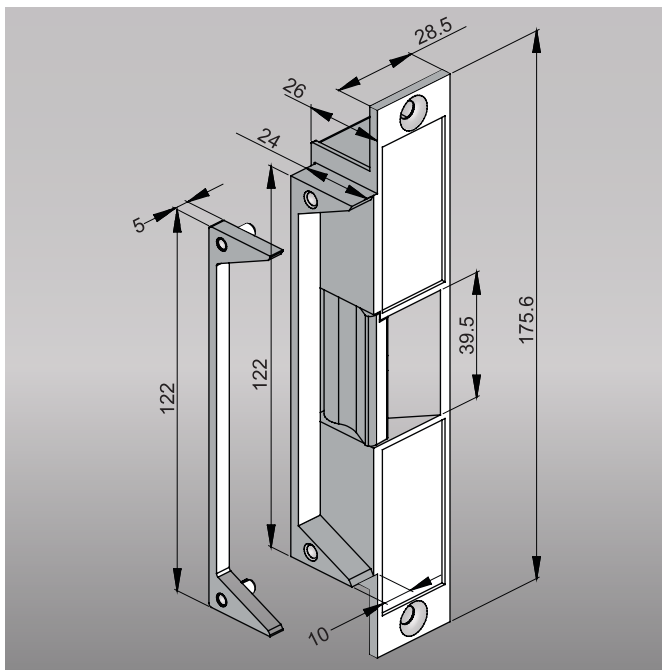
When installation of the strike is completed, connect the wiring according to list below:

Power Input	Multi Voltage 11-30VDC	12 VDC – current 220 mA	24 VDC – current 110 mA
Wire output	Red (+)	Black (-)	

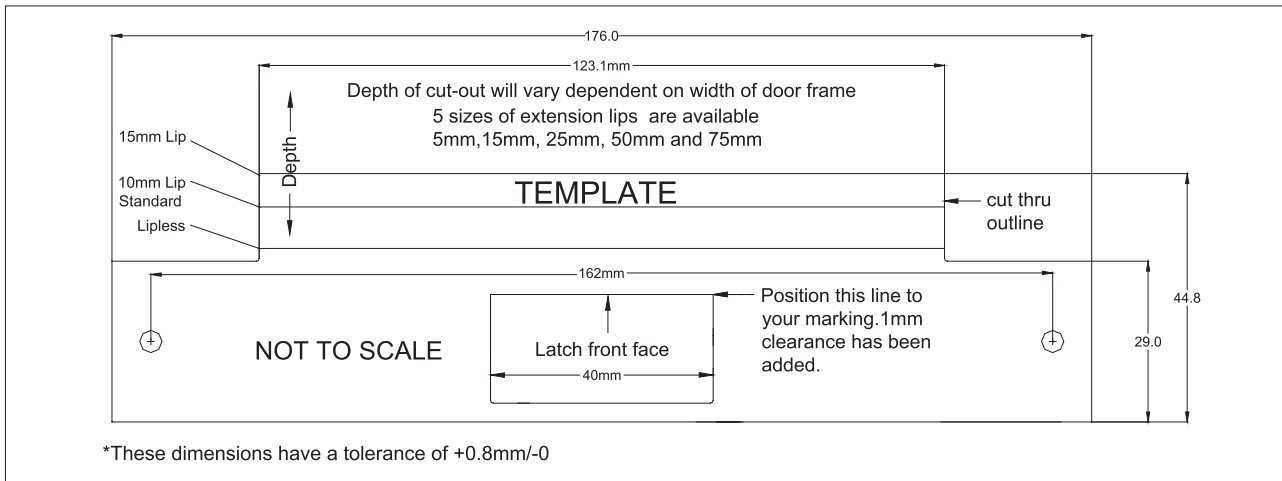
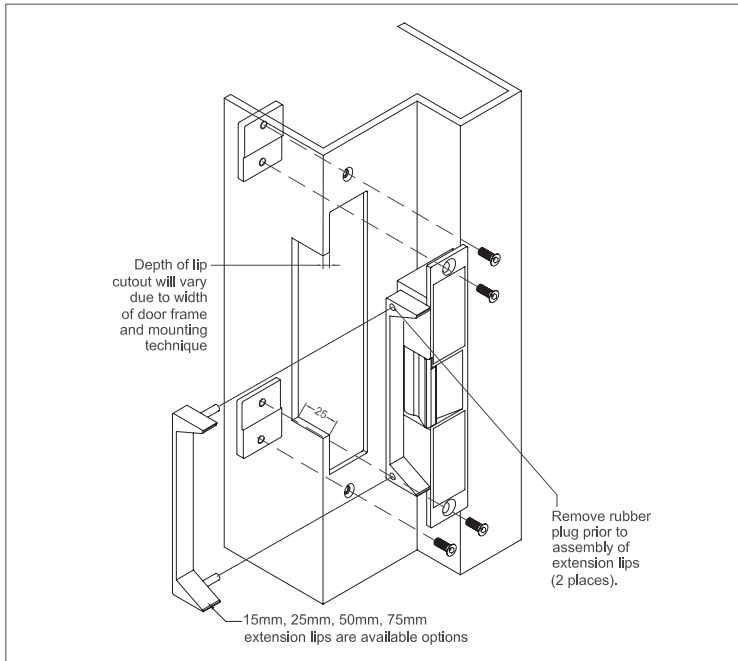
Note

FES20 Series Electric Strike factory setting is Power to Lock (PTL) .
The control circuit for the door strike is protected against reverse polarity connection.
No additional diode protection required.

Product Dimensions

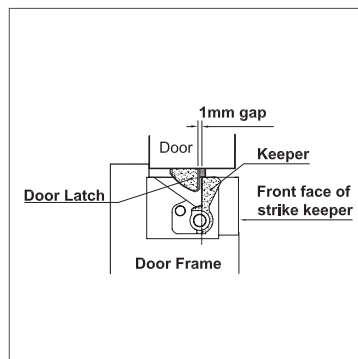
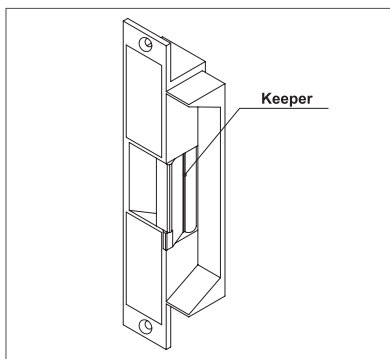


Installation



If frame is not prefabricated, use the enclosed stick-on template to prepare strike cut-out in frame. Install strike as described in diagram.

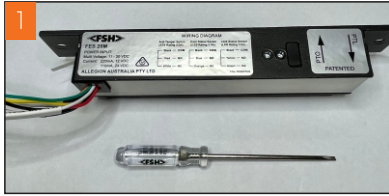
Position of door latch



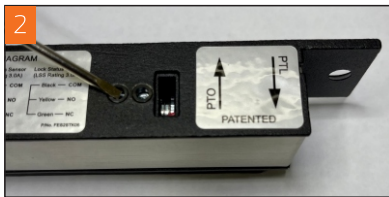
As drawn in the diagrams, there should be a 1mm gap between the door latch and the front face of the strike keeper, preventing the door from creating back pressure on the strike keeper when the door is closed.

Mode Selection

Procedure to convert PTL (Power to Lock) to PTO (Power to Open)



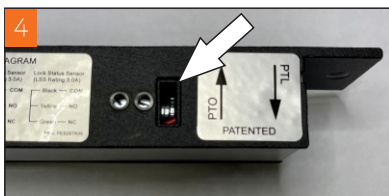
Use provided changeover tool



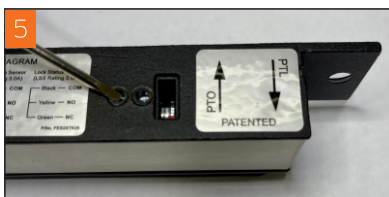
Fully loosen both the capstan release screws (screws are captured by the plastic grommet)



Remove the rubber cap to expose the capstan changeover wheel



Insert the changeover tool through the window.
Turn the capstan wheel in the direction away from the strike keeper
(see arrow on sticker PTO).
Turn the wheel until it hits the stop.
The strike is now in Power to Open/Fail Secure mode



Tighten the two capstan releasing screws replace and plug in the rubber cap back to close the window.