



VE1260

Eco Drop Bolt



The patented VE1260 is a high torque motor driven drop bolt with up to 35kg pre-load/side load tolerance. It can be installed vertically in the door frame (lock style) or horizontally in the frame header and has a symmetric dead-bolt mechanism allowing it to be used on 180° degree swing through doors.

The VE1260 consumes an inrush current of 290mA@12VDC only during locking and unlocking action (Active Mode), then in the locked or unlocked state (Sleep Mode), the drop bolt consumes current less than 15mA@12VDC.

A series of additional Strike Plates allow for door misalignment of up to $\pm 12\text{mm}$ and a retrofit version of the FSH Eco Lock is available to suit the PADDE/TRIMEC ES8000 drop bolt footprint.

We recommend to operate the product in 3-Wire-Mode (see installation manual). An optional LED red/green indicator unit is available.

Features

- Releases with up to 35kg of Pre-Load/Side Load (3-wire mode)
- Durability tested to 400,000 cycles
- Multi Voltage operation 11-30VDC
- Sleep-Mode Current less than 15mA@12VDC
- Fully monitored including reed switch for door position
- Up to 1000kg holding strength
- Up to 4-hour fire rated in accordance with AS1905.1:2015 (contact Allegion for more details)
- Conforms to S3* (Security) and Durability) Australian Lock Standard (AS4145.2:1993)
- 5 year warranty
- Retrofit version for Trimec/PADDE ES8000 (VE1260S Square Edge Version)
- Surface mount kit for motorised hook lock
- HL1260 or strike plate (one kit required per item)

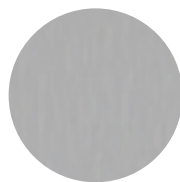


Warranties	
Mechanical	5 years
Electronic	5 years

Technical specifications

Part No.	VE1260
Certifications / Approvals	CE/UL
Function	Mortice Mount, Power To Lock (PTL) /Power To Open (PTO) field selectable, up to 35kg of pre-load capability
Holding Strength	Up to 1000kg
Voltage / Current	Multi Voltage 11-30VDC Active Mode: Locking/Unlocking cycle current is 0.29A to 0.85A depending on the side load. More side load = more current. Sleep-Mode: After locking/unlocking the current drops down to ~0.015A (15mA)
Monitoring	Lock Status Sensor of the internal locking mechanism Door Status Sensor Built-in Reed Switch, monitoring the door position
Temperature Range	-20° to +60°C
Maximum Door Gap	2mm
Finish	Satin Stainless Steel (SSS)

Finish



SSS

Satin Stainless Steel

VE1260 Accessories

Part no.	Product Description
VE1260-FR	Glass Door Box for VE1260R Lock (includes adaptor, lock not included)
VE1260GL-DO12	Glass Door Box to cater for ±12mm door misalignment (includes ST12 faceplate)
VE1260S-ST6	Strike Plate 31mm for VE1260 Series to cater for ±6mm door misalignment minimum Door Thickness 35mm SQUARE EDGE
VE1260S-ST9	Strike Plate 35mm for VE1260 Series to cater for ±9mm door misalignment minimum Door Thickness 40mm SQUARE EDGE
VE1260S-ST12	Strike Plate 40mm for VE1260 Series to cater for ±12mm door misalignment minimum Door Thickness 50mm SQUARE EDGE

Testing and Compliance



Fire:

Tested to 4 hour on fire door assemblies as specified in AS/NZ 1905.1 – 1997 Part 1 Fire Resistant Doorsets

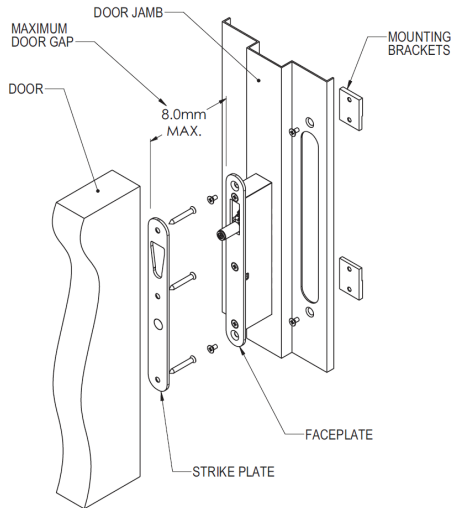


Durability:

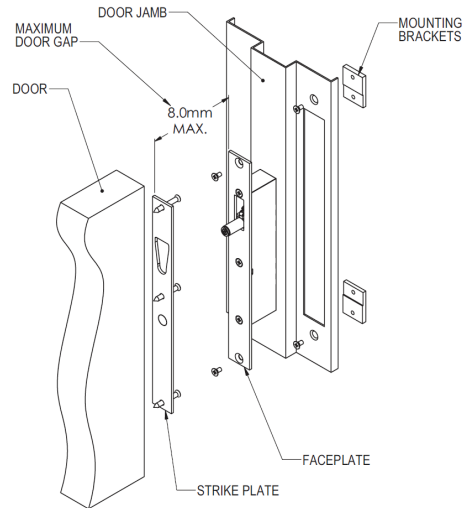
Conforms to S3* (Security) and D3 (Durability) Australian Lock Standard (AS4145.2 : 1993)

VE1260 Product Dimensions and Installation

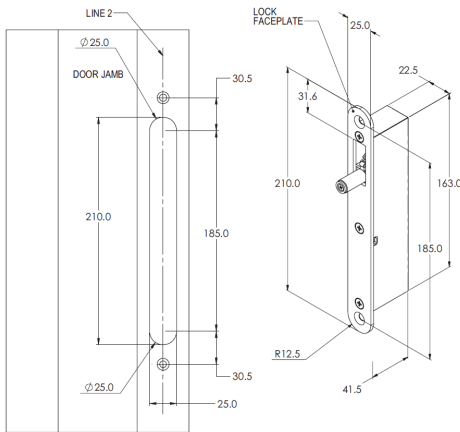
VE1260R Round Edge



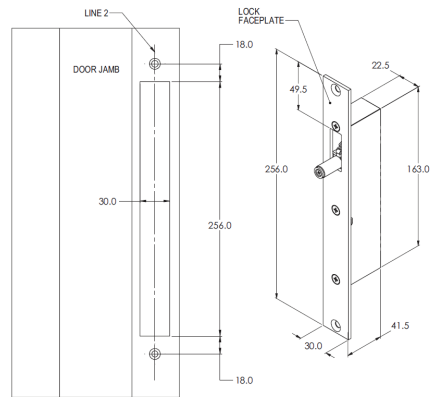
VE1260S Square Edge



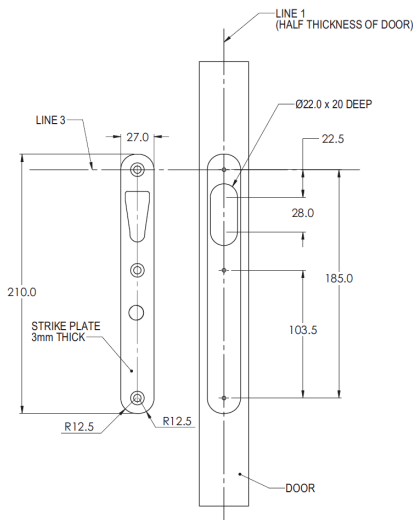
Locking Device VE1260R Round Edge



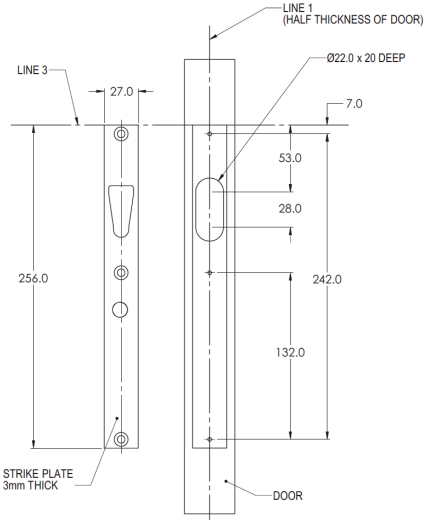
Locking Device VE1260S Square Edge



Strike Plate VE1260R Round Edge

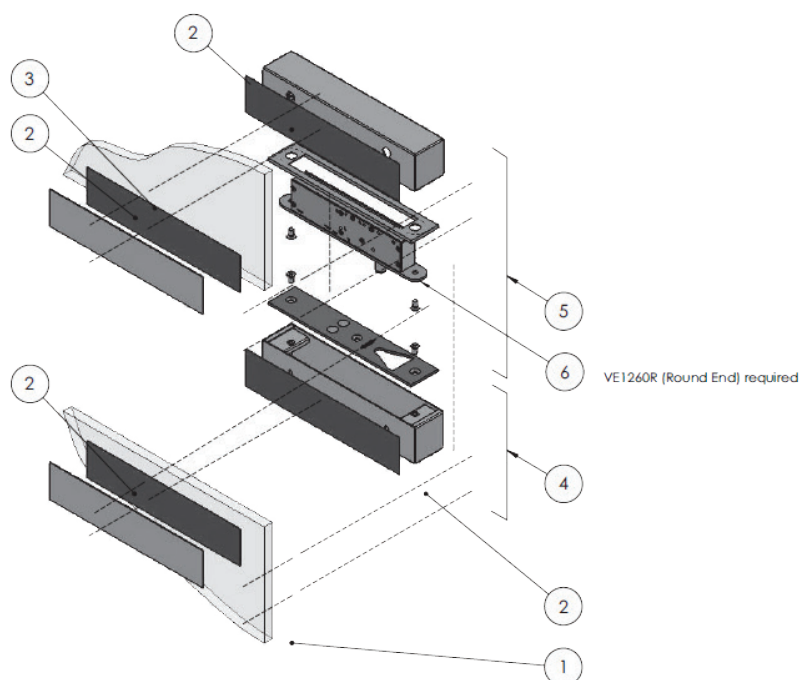
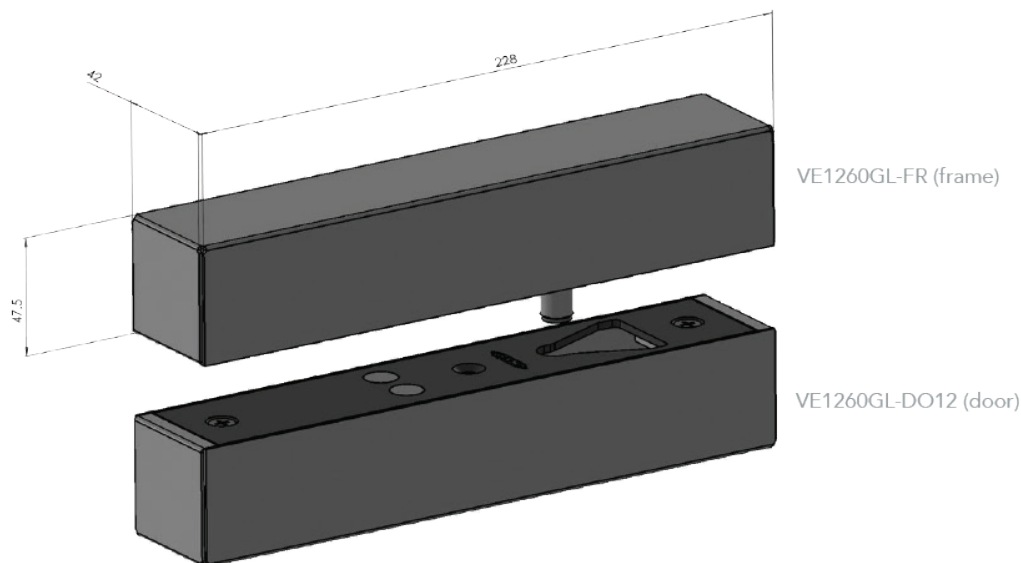


Strike Plate VE1260S Square Edge



VE1260 Glass Door Mounting Boxes

Glass Door Mounting Boxes



Item No.	Part No.	Description	Qty.
1		Glass door	1
2	Supplied by others	3M VHB adhesive tape no. 4910	4
3		Glass header	1
4	VE1260GL-DO12	VE1260R Glass door mount - door kit	1
5	VE1260GL-FR	VE1260R Glass door mount - frame kit	1
6	VE1260R	Pre-load drop bolt	1