

FSSI SERIES

HIGH SECURITY SENSORS




The FSSI Series of High Security Door Monitoring Sensors are designed to provide a true high security solution for door position monitoring.

It is an award winning, state-of-the-art monitoring solution with a flush mount version for new construction, and surface mount version as a superior replacement for traditional magnetic balanced reed sensors.

Specifically developed for high security applications in government, high risk and defence installations, the FSSI Series high security door monitoring sensors consist of seven magnetic sensors that are used to detect a unique magnetic footprint from an array of magnets on the magnetic face plate. One sensor is used to detect the position of the magnetic face plate in relation to the device, while the other six sensors are used to determine the polarity, size, strength and position of the magnets on the unique magnetic face plate in relation to the memorised pattern.

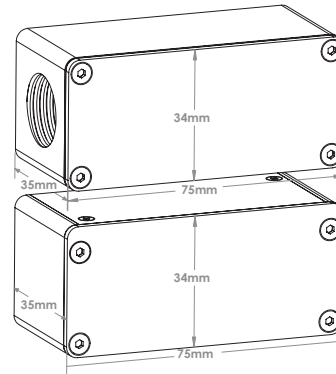
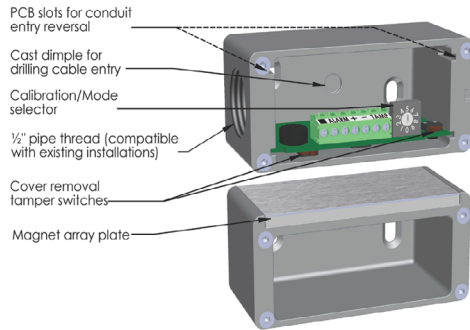
The sensor is designed to operate on a hinged door swinging in one direction. The FSSI is equipped with sophisticated anti-tamper facilities. The product is listed in the Australian Government Security Equipment Evaluated Product List (SEEPL) and UL listed to UL 634.2.

Technical Details

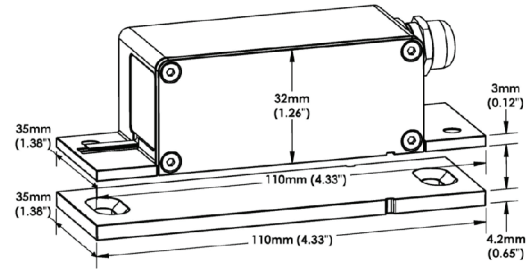
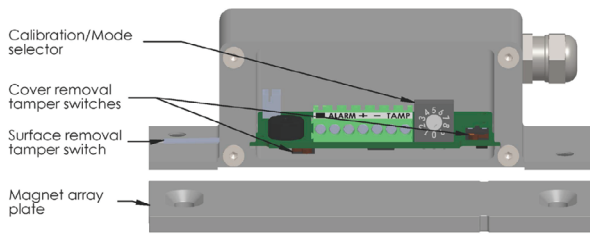
| Part No. | FSSI-S / FSSI-S-NC | FSSI-F |
|----------------------------|--|--------------------------------|
| Function | FSSI-S - Surface mount conduit version FSSI-S-NC -Surface mount no conduit version | Flush mount version (morticed) |
| Voltage/Current | 10 - 30VDC / <10mA - Can now be powered by Type 1/1A and Class 5 E.O.L Modules | |
| Approvals / Security Level | SCEC Security Level 4 (SL4) Approved  U.L 634 Level 2 Rated to IP67 RCM Compliant | |
| Alarm Contacts (2) | Circuit board x 1 for alarm, flying lead x 1 for access control etc, both N.O. & common, 0.25A @ 30V | |
| Tamper Contact (1) | N.C. & common, 0.2A @ 30V | |
| Door Gap | 1.5 - 7mm vertical door gap, and up to 15mm door movement for alarm to trigger | |
| End of Line | Space for end-of-line encryption modules, or resistor/s | |
| Array Magnets | Up to 8 magnets for unique magnetic footprint | |
| Hall Effect Sensors | 7 | |
| Patents | Patents granted and pending worldwide based on PCT/AU2014/000210 | |
| Manufacture | Designed & manufactured in Australia | |

Product Dimensions

FSSI-S Surface mount conduit version FSSI-S-NC surface mount no conduit version



FSSI-F flush mount version



Product Codes & Accessories

| Part No. | Product Description |
|---------------|---|
| FSSI-ADAPTSM3 | FSSI SM3 ADAPTER PLATE |
| FSSI-F | FLUSH MOUNT HIGH SEC DOOR MONITOR |
| FSSI-L | FSSI L BRACKET |
| FSSI-S | SURFACE MOUNT HIGH SEC MONITOR |
| FSSI-S-NC | SURFACE MOUNT HIGH SEC MONITOR -NO CONDUIT |
| FSSI-SLI-NC | FSSI SLIDING DOOR NC SURFACE S (CONTACT ALLEGION BEFORE ORDERING) |
| FSSI-SPACE6 | FSSI 6MM SPACER |
| FSSI-Z45 | FSSI Z BRACKET |