



# FDH50 Electromagnetic Door Holder Installation Instructions

**Input:** Selectable 12/24VDC (Factory default is 12VDC). The power supply input connection terminals are for maximum 2.0mm wire cable.

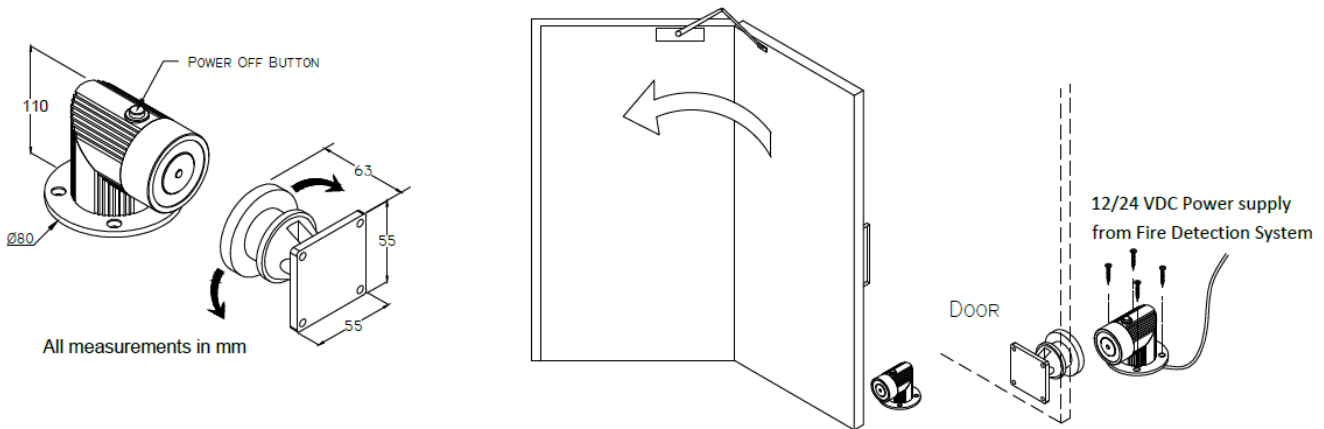
**Current:** 12VDC/100mA, 24VDC/50mA.

**Function:** The FSH FDH50 is supplied ex-factory as a Floor Mount Door Holder.

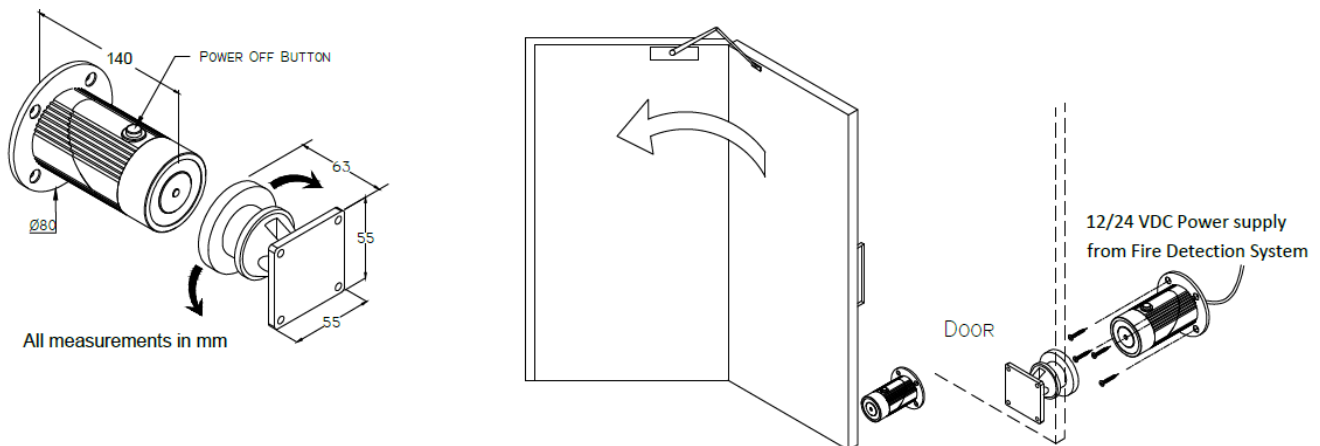
## Changing from Floor Mount to Wall Mount

1. Remove the allen screw with the allen key provided.
2. Hold the base of the unit and gently turn the magnet through 90 degrees to align the two sections.
3. Place the magnet in position, taking care not to catch or damage the wiring.
4. Replace the allen screw and tighten.

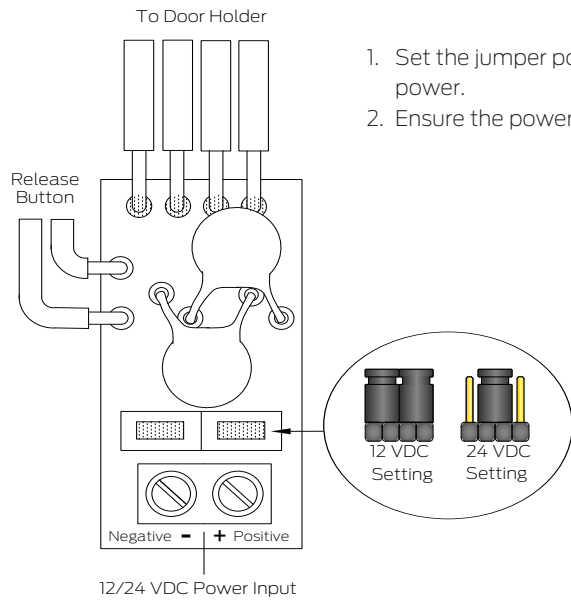
## Floor Mount



## Wall Mount



## Wiring Instructions



1. Set the jumper position to the correct power input before switching on the power.
2. Ensure the power supply input wiring polarity is correct.